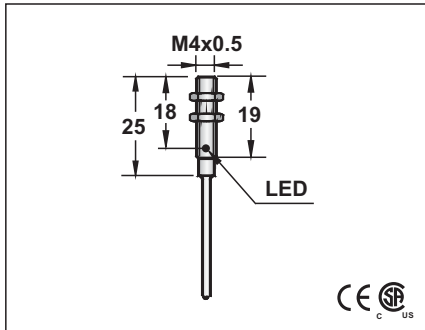


DC ULTRA-MINI TYPE INDUCTIVE PROXIMITY SWITCH

M4
●
0.8 mm 1.0 mm
stainless steel
●



10-30VDC or 5-36VDC	
<10%	
<10mA	
200mA	
<0.01mA	
-	
-	
<1.5V	
2KHZ	
0.1ms/0.1ms	
<15%(Sr)	
<1.0%(Sr)	
IP67	
-25°C - +70°C	
<10%(Sr)	
YES	
220mA	
<10ms	
RFI>3V/m / EFT>1KV / ESD>4KV (contact)	
IEC 60947-5-2, Part 7.4.1 / IEC 60947-5-2, Part 7.4.2	
POM	

FCU1-040.8N-A3U2	1	LCU1-0401N-A3U2
FCU1-040.8N-B3U2	2	LCU1-0401N-B3U2
FCU1-040.8P-A3U2	3	LCU1-0401P-A3U2
FCU1-040.8P-B3U2	4	LCU1-0401P-B3U2

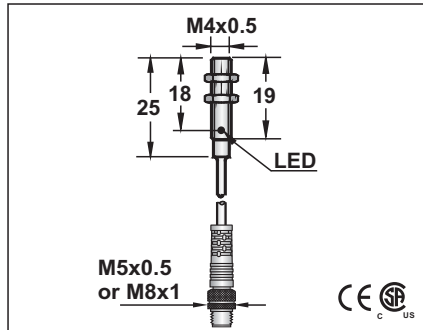
FCU1-040.8NU	21	FCU1-0401NU
--------------	----	-------------

ICU1-040.8N-A3U2	1	ICU1-0401N-A3U2
ICU1-040.8N-B3U2	2	ICU1-0401N-B3U2
ICU1-040.8P-A3U2	3	ICU1-0401P-A3U2
ICU1-040.8P-B3U2	4	ICU1-0401P-B3U2

NAMUR type specifications see page 23

2.3 φ 3x0.15	
Approx.22 g	

M4
●
0.8 mm
stainless steel
●



10-30VDC or 5-36VDC			
<10%			
<10mA			
200mA			
<0.01mA			
-			
-			
<1.5V			
2KHZ			
0.1ms/0.1ms			
<15%(Sr)			
<1.0%(Sr)			
IP67			
-25°C - +70°C			
<10%(Sr)			
YES			
220mA			
<10ms			
RFI>3V/m / EFT>1KV / ESD>4KV (contact)			
IEC 60947-5-2, Part 7.4.1 / IEC 60947-5-2, Part 7.4.2			
POM			

FCU1-040.8N-A3U0.2/P5	25	FCU1-040.8N-A3U0.2/P8	29
FCU1-040.8N-B3U0.2/P5	26	FCU1-040.8N-B3U0.2/P8	30
FCU1-040.8P-A3U0.2/P5	27	FCU1-040.8P-A3U0.2/P8	31
FCU1-040.8P-B3U0.2/P5	28	FCU1-040.8P-B3U0.2/P8	32

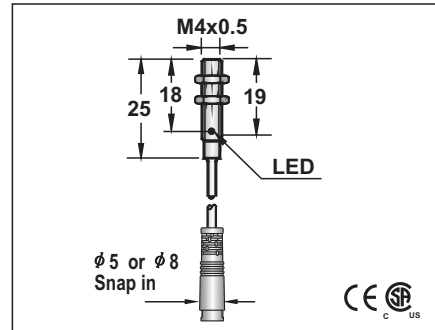
FCU1-040.8NU/P5	21	FCU1-040.8NU/P8	21
-----------------	----	-----------------	----

ICU1-040.8N-A3U0.2/P5	25	ICU1-040.8N-A3U0.2/P8	29
ICU1-040.8N-B3U0.2/P5	26	ICU1-040.8N-B3U0.2/P8	30
ICU1-040.8P-A3U0.2/P5	27	ICU1-040.8P-A3U0.2/P8	31
ICU1-040.8P-B3U0.2/P5	28	ICU1-040.8P-B3U0.2/P8	32

FCU***/P5
└─ M5 Pigtail mode
FCU***/P8
└─ M8 Pigtail mode

2.3 φ 3x0.15	
Approx.30 g	Approx.31 g

M4
●
0.8 mm
stainless steel
●



10-30VDC or 5-36VDC			
<10%			
<10mA			
200mA			
<0.01mA			
-			
-			
<1.5V			
2KHZ			
0.1ms/0.1ms			
<15%(Sr)			
<1.0%(Sr)			
IP67			
-25°C - +70°C			
<10%(Sr)			
YES			
220mA			
<10ms			
RFI>3V/m / EFT>1KV / ESD>4KV (contact)			
IEC 60947-5-2, Part 7.4.1 / IEC 60947-5-2, Part 7.4.2			
POM			

FCU1-040.8N-A3U0.2/SN5	25	FCU1-040.8N-A3U0.2/SN8	29
FCU1-040.8N-B3U0.2/SN5	26	FCU1-040.8N-B3U0.2/SN8	30
FCU1-040.8P-A3U0.2/SN5	27	FCU1-040.8P-A3U0.2/SN8	31
FCU1-040.8P-B3U0.2/SN5	28	FCU1-040.8P-B3U0.2/SN8	32

FCU1-040.8NU/SN5	21	FCU1-040.8NU/SN8	21
------------------	----	------------------	----

ICU1-040.8N-A3U0.2/SN5	25	ICU1-040.8N-A3U0.2/SN8	29
ICU1-040.8N-B3U0.2/SN5	26	ICU1-040.8N-B3U0.2/SN8	30
ICU1-040.8P-A3U0.2/SN5	27	ICU1-040.8P-A3U0.2/SN8	31
ICU1-040.8P-B3U0.2/SN5	28	ICU1-040.8P-B3U0.2/SN8	32

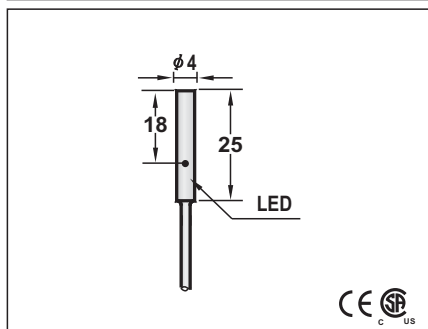
FCU***/SN5
└─ φ 5 Pigtail mode
FCU***/SN8
└─ φ 8 Pigtail mode

2.3 φ 3x0.15	
Approx.30 g	Approx.31 g

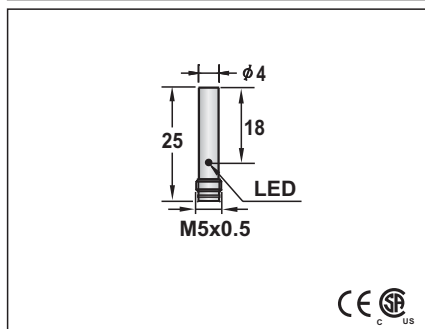
Note:
Coming Soon : Part numbers with underline

DC ULTRA-MINI TYPE INDUCTIVE PROXIMITY SWITCH

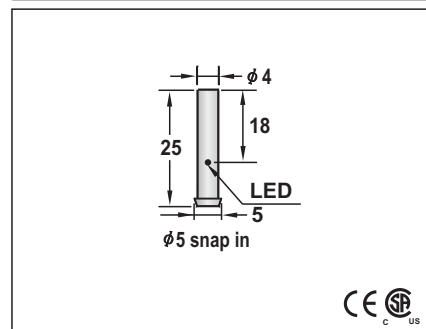
φ4
●
0.8 mm 1.0 mm
stainless steel
●



φ4
●
0.8 mm 1.0 mm
stainless steel
●



φ4
●
0.8 mm 1.0 mm
stainless steel
●



10-30VDC or 5-36VDC
<10%
<10mA
200mA
<0.01mA
-
-
<1.5V
2KHZ
0.1ms/0.1ms
<15%(Sr)
<1.0%(Sr)
IP67
-25°C - +70°C
<10%(Sr)
YES
220mA
<10ms
RFI>3V/m / EFT>1KV / ESD>4KV (contact)
IEC 60947-5-2,Part 7.4.1 / IEC 60947-5-2,Part 7.4.2
POM

10-30VDC or 5-36VDC
<10%
<10mA
200mA
<0.01mA
-
-
<1.5V
2KHZ
0.1ms/0.1ms
<15%(Sr)
<1.0%(Sr)
IP67
-25°C - +70°C
<10%(Sr)
YES
220mA
<10ms
RFI>3V/m / EFT>1KV / ESD>4KV (contact)
IEC 60947-5-2,Part 7.4.1 / IEC 60947-5-2,Part 7.4.2
POM

10-30VDC or 5-36VDC
<10%
<10mA
200mA
<0.01mA
-
-
<1.5V
2KHZ
0.1ms/0.1ms
<15%(Sr)
<1.0%(Sr)
IP67
-25°C - +70°C
<10%(Sr)
YES
220mA
<10ms
RFI>3V/m / EFT>1KV / ESD>4KV (contact)
IEC 60947-5-2,Part 7.4.1 / IEC 60947-5-2,Part 7.4.2
POM

FCU1-D040.8N-A3U2	1	FCU1-D0401N-A3U2
FCU1-D040.8N-B3U2	2	FCU1-D0401N-B3U2
FCU1-D040.8P-A3U2	3	FCU1-D0401P-A3U2
FCU1-D040.8P-B3U2	4	FCU1-D0401P-B3U2
FCU1-D040.8NU	21	FCU1-D0401NU
ICU1-D040.8N-A3U2	1	ICU1-D0401N-A3U2
ICU1-D040.8N-B3U2	2	ICU1-D0401N-B3U2
ICU1-D040.8P-A3U2	3	ICU1-D0401P-A3U2
ICU1-D040.8P-B3U2	4	ICU1-D0401P-B3U2

<u>FCU1-D040.8N-AMS4</u>	25	<u>FCU1-D0401N-AMS4</u>
<u>FCU1-D040.8N-BMS4</u>	26	<u>FCU1-D0401N-BMS4</u>
<u>FCU1-D040.8P-AMS4</u>	27	<u>FCU1-D0401P-AMS4</u>
<u>FCU1-D040.8P-BMS4</u>	28	<u>FCU1-D0401P-BMS4</u>
<u>ICU1-D040.8N-AMS4</u>	25	<u>ICU1-D0401N-AMS4</u>
<u>ICU1-D040.8N-BMS4</u>	26	<u>ICU1-D0401N-BMS4</u>
<u>ICU1-D040.8P-AMS4</u>	27	<u>ICU1-D0401P-AMS4</u>
<u>ICU1-D040.8P-BMS4</u>	28	<u>ICU1-D0401P-BMS4</u>

<u>FCU1-D040.8N-AMS4/SN</u>	25	<u>FCU1-D0401N-AMS4/SN</u>
<u>FCU1-D040.8N-BMS4/SN</u>	26	<u>FCU1-D0401N-BMS4/SN</u>
<u>FCU1-D040.8P-AMS4/SN</u>	27	<u>FCU1-D0401P-AMS4/SN</u>
<u>FCU1-D040.8P-BMS4/SN</u>	28	<u>FCU1-D0401P-BMS4/SN</u>
<u>ICU1-D040.8N-AMS4/SN</u>	25	<u>ICU1-D0401N-AMS4/SN</u>
<u>ICU1-D040.8N-BMS4/SN</u>	26	<u>ICU1-D0401N-BMS4/SN</u>
<u>ICU1-D040.8P-AMS4/SN</u>	27	<u>ICU1-D0401P-AMS4/SN</u>
<u>ICU1-D040.8P-BMS4/SN</u>	28	<u>ICU1-D0401P-BMS4/SN</u>

NAMUR type specifications see page 22

φ5 Miniature snap in connector

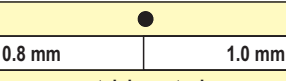
Approx.22 g

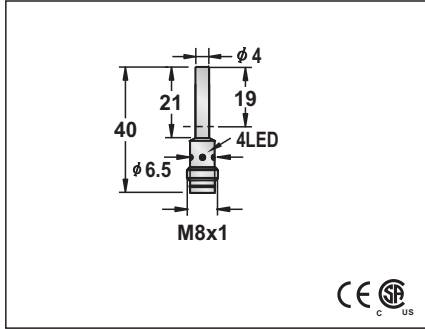
Approx.18 g

2.7φ 3x0.15
Approx.18 g

Note: Coming Soon : Part numbers with underline

DC ULTRA-MINI TYPE INDUCTIVE PROXIMITY SWITCH

φ4

0.8 mm 1.0 mm
stainless steel




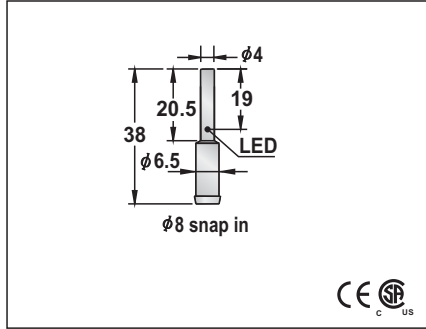
10-30VDC
<10%
<10mA
200mA
<0.01mA
-
-
<1.5V
2KHZ
0.1ms/0.1ms
<15%(Sr)
<1.0%(Sr)
IP67
-25°C - +70°C
<10%(Sr)
YES
220mA
<10ms
RFI>3V/m / EFT>1KV / ESD>4KV (contact)
IEC 60947-5-2,Part 7.4.1 / IEC 60947-5-2,Part 7.4.2
POM

FCU1-D040.8N-ACU3	29	FCU1-D0401N-ACU3	
FCU1-D040.8N-BCU3	29	FCU1-D0401N-BCU3	
FCU1-D040.8P-ACU3	30	FCU1-D0401P-ACU3	
FCU1-D040.8P-BCU3	30	FCU1-D0401P-BCU3	

Connecting cable:
M8 female pico-style,screw locking,with moulded cable.

approx.14 g

φ4

0.8 mm
stainless steel

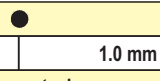


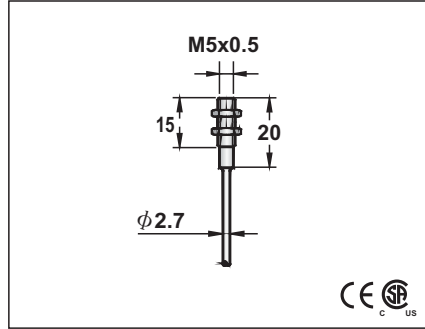
10-30VDC
<10%
<10mA
200mA
<0.01mA
-
-
<1.5V
2KHZ
0.1ms/0.1ms
<15%(Sr)
<1.0%(Sr)
IP67
-25°C - +70°C
<10%(Sr)
YES
220mA
<10ms
RFI>3V/m / EFT>1KV / ESD>4KV (contact)
IEC 60947-5-2,Part 7.4.1 / IEC 60947-5-2,Part 7.4.2
POM

FCU1-D040.8N-ACU3/SN	29
FCU1-D040.8N-BCU3/SN	29
FCU1-D040.8P-ACU3/SN	30
FCU1-D040.8P-BCU3/SN	30

Connecting cable:
female pico-style,snap-in device,with moulded cable.


approx.14 g

M 5

0.8 mm 1.0 mm
stainless steel



6-12VDC
<10%
>2.2mA(OFF)
-
-
-
-
0.5KHZ
0.2ms/0.2ms
<15%(Sr)
-
IP67
-25°C - +70°C
<1%(Sr)
-
-
<10ms
RFI>3V/m / EFT>1KV / ESD>4KV (contact)
IEC 60947-5-2,Part 7.4.1 / IEC 60947-5-2,Part 7.4.2
POM

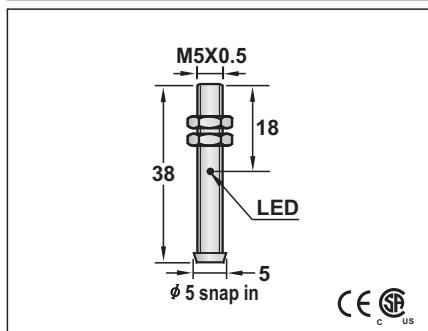
FCU1-050.8NU	21	FCU1-0501NU

Note:
All cable type have pigtail connect mode,
*CU***/p  pigtail mode

2.7φ 3x0.15
approx.25 g

DC ULTRA-MINI TYPE INDUCTIVE PROXIMITY SWITCH

M5	
●	
0.8 mm	1.0 mm
stainless steel	
●	

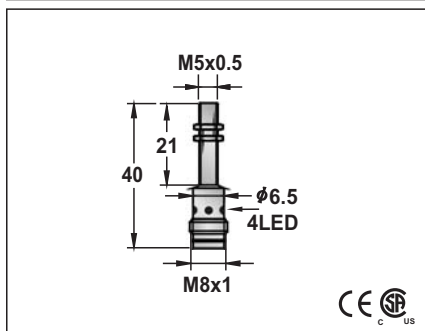


10-30VDC or 5-36VDC	
<10%	
<10mA	
200mA	
<0.01mA	
-	
-	
<1.5V	
2KHZ	
0.1ms/0.1ms	
<15%(Sr)	
<1.0%(Sr)	
IP67	
-25°C - +70°C	
<10%(Sr)	
YES	
220mA	
<10ms	
RFI>3V/m / EFT>1KV / ESD>4KV (contact)	
IEC 60947-5-2,Part 7.4.1 / IEC 60947-5-2,Part 7.4.2	
POM	

<u>FCU1-050.8N-AMU4/SN</u>	<u>25</u>	<u>FCU1-0501N-AMU4/SN</u>
<u>FCU1-050.8N-BMU4/SN</u>	<u>26</u>	<u>FCU1-0501N-BMU4/SN</u>
<u>FCU1-050.8P-AMU4/SN</u>	<u>27</u>	<u>FCU1-0501P-AMU4/SN</u>
<u>FCU1-050.8P-BMU4/SN</u>	<u>28</u>	<u>FCU1-0501P-BMU4/SN</u>
<u>FCU1-050.8NU-SN</u>	<u>21</u>	<u>FCU1-050.8NU-SN</u>
<u>ICU1-050.8N-AMU4/SN</u>	<u>25</u>	<u>ICU1-0501N-AMU4/SN</u>
<u>ICU1-050.8N-BMU4/SN</u>	<u>26</u>	<u>ICU1-0501N-BMU4/SN</u>
<u>ICU1-050.8P-AMU4/SN</u>	<u>27</u>	<u>ICU1-0501P-AMU4/SN</u>
<u>ICU1-050.8P-BMU4/SN</u>	<u>28</u>	<u>ICU1-0501P-BMU4/SN</u>

ϕ 5 Miniature snap in connector	
Approx.13 g	

M5	
●	
0.8 mm	1.0 mm
stainless steel	
●	

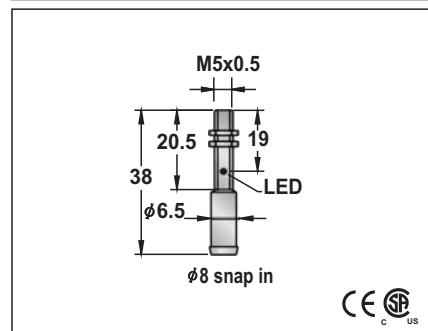


10-30VDC or 5-36VDC	
<10%	
<10mA	
200mA	
<0.01mA	
-	
-	
<1.5V	
2KHZ	
0.1ms/0.1ms	
<15%(Sr)	
<1.0%(Sr)	
IP67	
-25°C - +70°C	
<10%(Sr)	
YES	
220mA	
<10ms	
RFI>3V/m / EFT>1KV / ESD>4KV (contact)	
IEC 60947-5-2,Part 7.4.1 / IEC 60947-5-2,Part 7.4.2	
POM	

<u>FCU1-050.8N-ACU3</u>	<u>29</u>	<u>FCU1-0501N-ACU3</u>
<u>FCU1-050.8N-BCU3</u>	<u>29</u>	<u>FCU1-0501N-BCU3</u>
<u>FCU1-050.8P-ACU3</u>	<u>30</u>	<u>FCU1-0501P-ACU3</u>
<u>FCU1-050.8P-BCU3</u>	<u>30</u>	<u>FCU1-0501P-BCU3</u>
<u>ICU1-050.8N-ACU3</u>	<u>29</u>	<u>ICU1-0501N-ACU3</u>
<u>ICU1-050.8N-BCU3</u>	<u>29</u>	<u>ICU1-0501N-BCU3</u>
<u>ICU1-050.8P-ACU3</u>	<u>30</u>	<u>ICU1-0501P-ACU3</u>
<u>ICU1-050.8P-BCU3</u>	<u>30</u>	<u>ICU1-0501P-BCU3</u>

Connecting cable: M8 female pico-style,screw locking,with moulded cable.	
Approx.14 g	

M 5	
●	
0.8 mm	1.0 mm
stainless steel	
●	



10-30VDC or 5-36VDC	
<10%	
<10mA	
200mA	
<0.01mA	
-	
-	
<1.5V	
2KHZ	
0.1ms/0.1ms	
<15%(Sr)	
<1.0%(Sr)	
IP67	
-25°C - +70°C	
<10%(Sr)	
YES	
220mA	
<10ms	
RFI>3V/m / EFT>1KV / ESD>4KV (contact)	
IEC 60947-5-2,Part 7.4.1 / IEC 60947-5-2,Part 7.4.2	
POM	

<u>FCU1-050.8N-ACU3/SN</u>	<u>29</u>	<u>FCU1-0501N-ACU3/SN</u>
<u>FCU1-050.8N-BCU3/SN</u>	<u>29</u>	<u>FCU1-0501N-BCU3/SN</u>
<u>FCU1-050.8P-ACU3/SN</u>	<u>30</u>	<u>FCU1-0501P-ACU3/SN</u>
<u>FCU1-050.8P-BCU3/SN</u>	<u>30</u>	<u>FCU1-0501P-BCU3/SN</u>
<u>ICU1-050.8N-ACU3/SN</u>	<u>29</u>	<u>ICU1-0501N-ACU3/SN</u>
<u>ICU1-050.8N-BCU3/SN</u>	<u>29</u>	<u>ICU1-0501N-BCU3/SN</u>
<u>ICU1-050.8P-ACU3/SN</u>	<u>30</u>	<u>ICU1-0501P-ACU3/SN</u>
<u>ICU1-050.8P-BCU3/SN</u>	<u>30</u>	<u>ICU1-0501P-BCU3/SN</u>

Connecting cable: female pico-style,snap-in device,with moulded cable.	
Approx.14 g	

Note:
Coming Soon : Part numbers with underline

DC ULTRA-MINI TYPE INDUCTIVE PROXIMITY SWITCH

ϕ 6.5

●

1.0 mm	2.0 mm	3.0 mm
--------	--------	--------

stainless steel

●

10-30VDC
<10%
<10mA
200mA
<0.01mA
-
-
<1.5V
2KHZ
0.1ms/0.1ms
<15%(Sr)
<1.0%(Sr)
IP67
-25°C - +70°C
<10%(Sr)
YES
220mA
<10ms
RFI>3V/m / EFT>1KV / ESD>4KV (contact)
IEC 60947-5-2,Part 7.4.1 / IEC 60947-5-2,Part 7.4.2
POM

FCU1-D0601N-A3R2	1	<u>ECU1-D0602N-A3R2</u>	1	<u>LCU1-D0603N-A3R2</u>
FCU1-D0601N-B3R2	2	<u>ECU1-D0602N-B3R2</u>	2	<u>LCU1-D0603N-B3R2</u>
FCU1-D0601P-A3R2	3	<u>ECU1-D0602P-A3R2</u>	3	<u>LCU1-D0603P-A3R2</u>
FCU1-D0601P-B3R2	4	<u>ECU1-D0602P-B3R2</u>	4	<u>LCU1-D0603P-B3R2</u>

Note: All cable type have pigtail connect mode, *CU***/ p → pigtail mode

3 ϕ 3x0.15
approx.25 g

ϕ 6.5

●

1.0 mm	2.0 mm	3.0 mm
--------	--------	--------

stainless steel

●

10-30VDC
<10%
<10mA
200mA
<0.01mA
-
-
<1.5V
2KHZ
0.1ms/0.1ms
<15%(Sr)
<1.0%(Sr)
IP67
-25°C - +70°C
<10%(Sr)
YES
220mA
<10ms
RFI>3V/m / EFT>1KV / ESD>4KV (contact)
IEC 60947-5-2,Part 7.4.1 / IEC 60947-5-2,Part 7.4.2
POM

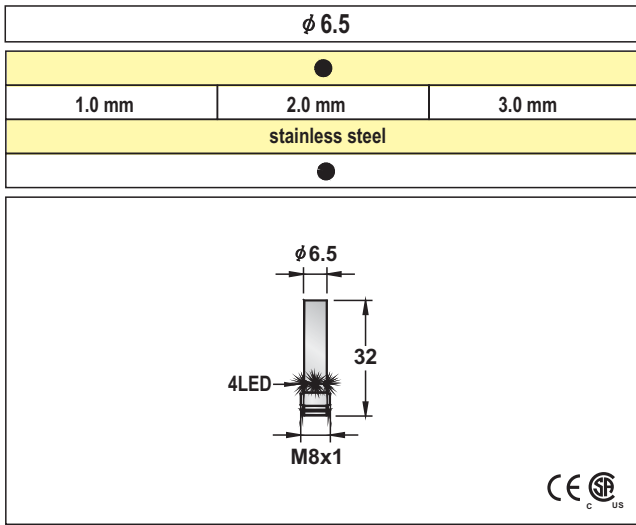
FCU1-D0601N-A3X2	1	<u>ECU1-D0602N-A3X2</u>	1	<u>LCU1-D0603N-A3X2</u>
FCU1-D0601N-B3X2	2	<u>ECU1-D0602N-B3X2</u>	2	<u>LCU1-D0603N-B3X2</u>
FCU1-D0601P-A3X2	3	<u>ECU1-D0602P-A3X2</u>	3	<u>LCU1-D0603P-A3X2</u>
FCU1-D0601P-B3X2	4	<u>ECU1-D0602P-B3X2</u>	4	<u>LCU1-D0603P-B3X2</u>

Note: All cable type have pigtail connect mode, *CU***/ p → pigtail mode

3 ϕ 3x0.15
approx.25 g

Note:
Coming Soon : Part numbers with underline

DC ULTRA-MINI TYPE INDUCTIVE PROXIMITY SWITCH



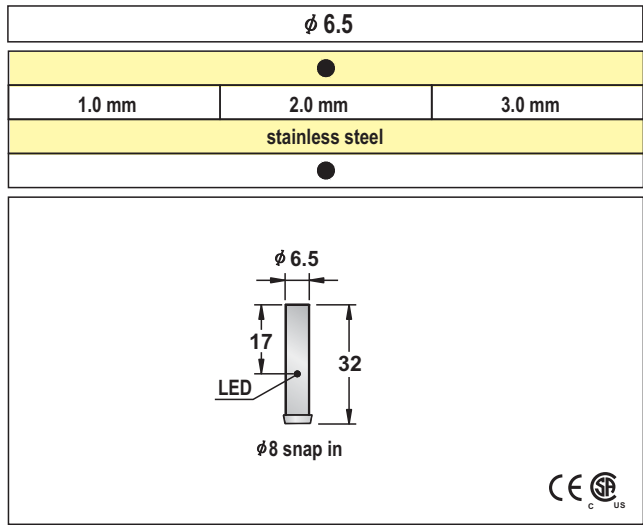
10-30VDC
<10%
<10mA
200mA
<0.01mA
-
-
<1.5V
2KHZ
0.1ms/0.1ms
<15%(Sr)
<1.0%(Sr)
IP67
-25°C - +70°C
<10%(Sr)
YES
220mA
<10ms
RFI>3V/m / EFT>1KV / ESD>4KV (contact)
IEC 60947-5-2,Part 7.4.1 / IEC 60947-5-2,Part 7.4.2

POM				
FCU1-D0601N-ACR3	29	ECU1-D0602N-ACR3	29	LCU1-D0603N-ACR3
FCU1-D0601N-BCR3	29	ECU1-D0602N-BCR3	29	LCU1-D0603N-BCR3
FCU1-D0601P-ACR3	30	ECU1-D0602P-ACR3	30	LCU1-D0603P-ACR3
FCU1-D0601P-BCR3	30	ECU1-D0602P-BCR3	30	LCU1-D0603P-BCR3

Connecting cable:
M8 female pico-style,screw locking,with moulded cable.

Approx.15 g

Note:
Coming Soon : Part numbers with underline



10-30VDC
<10%
<10mA
200mA
<0.01mA
-
-
<1.5V
2KHZ
0.1ms/0.1ms
<15%(Sr)
<1.0%(Sr)
IP67
-25°C - +70°C
<10%(Sr)
YES
220mA
<10ms
RFI>3V/m / EFT>1KV / ESD>4KV (contact)
IEC 60947-5-2,Part 7.4.1 / IEC 60947-5-2,Part 7.4.2

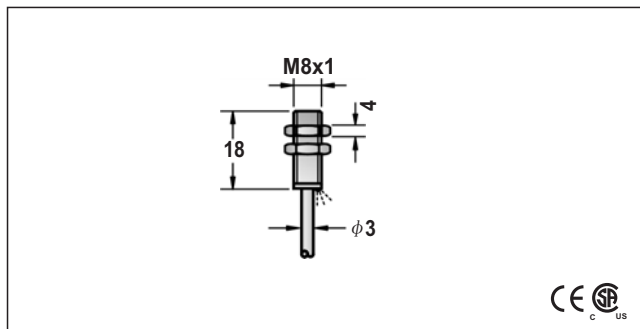
POM				
FCU1-D0601N-ACR3/SN	29	ECU1-D0602N-ACR3/SN	29	LCU1-D0603N-ACR3/SN
FCU1-D0601N-BCR3/SN	29	ECU1-D0602N-BCR3/SN	29	LCU1-D0603N-BCR3/SN
FCU1-D0601P-ACR3/SN	30	ECU1-D0602P-ACR3/SN	30	LCU1-D0603P-ACR3/SN
FCU1-D0601P-BCR3/SN	30	ECU1-D0602P-BCR3/SN	30	LCU1-D0603P-BCR3/SN

Connecting cable:
female pico-style,snap-in device,with moulded cable.

Approx.15 g

DC ULTRA-MINI TYPE INDUCTIVE PROXIMITY SWITCH

M 8		
●		
1.0 mm	2.0 mm	3.0 mm
stainless steel		
●		



10-30VDC
<10%
<10mA
200mA
<0.01mA
-
-
<1.5V
2KHZ
0.1ms/0.1ms
<15%(Sr)
<1.0%(Sr)
IP67
-25°C - +70°C
<10%(Sr)
YES
220mA
<10ms
RFI>3V/m / EFT>1KV / ESD>4KV (contact)
IEC 60947-5-2,Part 7.4.1 / IEC 60947-5-2,Part 7.4.2
POM

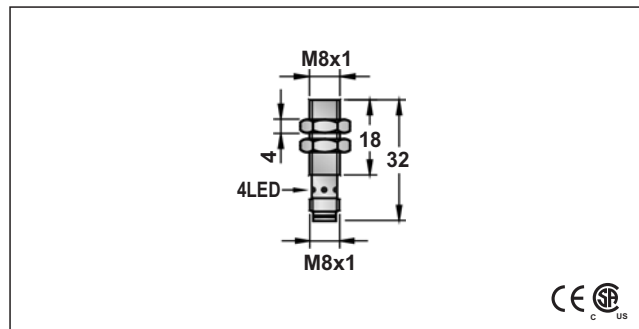
FCU1-0801N-A3R2	1	ECU1-0802N-A3R2	1	LCU1-0803N-A3R2
FCU1-0801N-B3R2	2	ECU1-0802N-B3R2	2	LCU1-0803N-B3R2
FCU1-0801P-A3R2	3	ECU1-0802P-A3R2	3	LCU1-0803P-A3R2
FCU1-0801P-B3R2	4	ECU1-0802P-B3R2	4	LCU1-0803P-B3R2



Note:
All cable type have pigtail connect mode,
*CU***/p pigtail mode

3 φ 3x0.15
approx.25 g

M 8		
●		
1.0 mm	2.0 mm	3.0 mm
stainless steel		
●		



10-30VDC
<10%
<10mA
200mA
<0.01mA
-
-
<1.5V
2KHZ
0.1ms/0.1ms
<15%(Sr)
<1.0%(Sr)
IP67
-25°C - +70°C
<10%(Sr)
YES
220mA
<10ms
RFI>3V/m / EFT>1KV / ESD>4KV (contact)
IEC 60947-5-2,Part 7.4.1 / IEC 60947-5-2,Part 7.4.2
POM

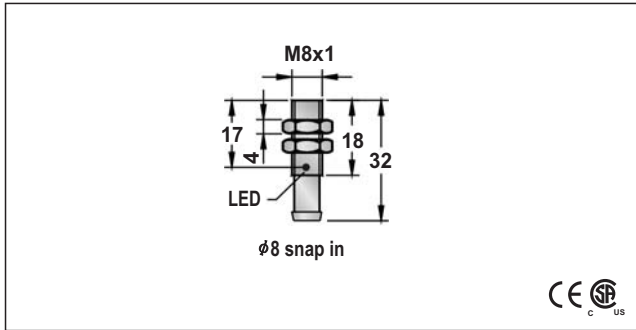
FCU1-0801N-ACR3	1	ECU1-0802N-ACR3	1	LCU1-0803N-ACR3
FCU1-0801N-BCR3	2	ECU1-0802N-BCR3	2	LCU1-0803N-BCR3
FCU1-0801P-ACR3	3	ECU1-0802P-ACR3	3	LCU1-0803P-ACR3
FCU1-0801P-BCR3	4	ECU1-0802P-BCR3	4	LCU1-0803P-BCR3

Connecting cable:
M8 female pico-style, screw locking, with moulded cable.

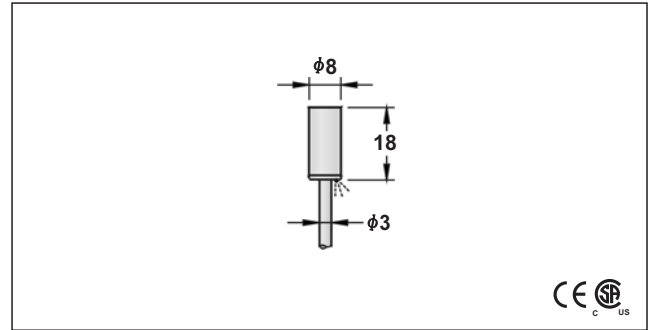
Approx.17 g

DC ULTRA-MINI TYPE INDUCTIVE PROXIMITY SWITCH

M 8		
●		
1.0 mm	2.0 mm	3.0 mm
stainless steel		
●		



$\phi 8$		
●		
1.0 mm	2.0 mm	3.0 mm
stainless steel		
●		



10-30VDC
<10%
<10mA
200mA
<0.01mA
-
-
<1.5V
2KHZ
0.1ms/0.1ms
<15%(Sr)
<1.0%(Sr)
IP67
-25°C - +70°C
<10%(Sr)
YES
220mA
<10ms
RFI>3V/m / EFT>1KV / ESD>4KV (contact)
IEC 60947-5-2,Part 7.4.1 / IEC 60947-5-2,Part 7.4.2
POM

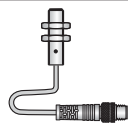
FCU1-0801N-ACR3/SN	25	ECU1-0802N-ACR3/SN	25	LCU1-0803N-ACR3/SN
FCU1-0801N-BCR3/SN	25	ECU1-0802N-BCR3/SN	25	LCU1-0803N-BCR3/SN
FCU1-0801P-ACR3/SN	26	ECU1-0802P-ACR3/SN	26	LCU1-0803P-ACR3/SN
FCU1-0801P-BCR3/SN	26	ECU1-0802P-BCR3/SN	26	LCU1-0803P-BCR3/SN

Connecting cable:
female pico-style, snap-in device, with moulded cable.

Approx. 17 g

10-30VDC
<10%
<10mA
200mA
<0.01mA
-
-
<1.5V
2KHZ
0.1ms/0.1ms
<15%(Sr)
<1.0%(Sr)
IP67
-25°C - +70°C
<10%(Sr)
YES
220mA
<10ms
RFI>3V/m / EFT>1KV / ESD>4KV (contact)
IEC 60947-5-2,Part 7.4.1 / IEC 60947-5-2,Part 7.4.2
POM

FCU1-D0801N-A3R2	1	ECU1-D0802N-A3R2	1	LCU1-D0803N-A3R2
FCU1-D0801N-B3R2	2	ECU1-D0802N-B3R2	2	LCU1-D0803N-B3R2
FCU1-D0801P-A3R2	3	ECU1-D0802P-A3R2	3	LCU1-D0803P-A3R2
FCU1-D0801P-B3R2	4	ECU1-D0802P-B3R2	4	LCU1-D0803P-B3R2

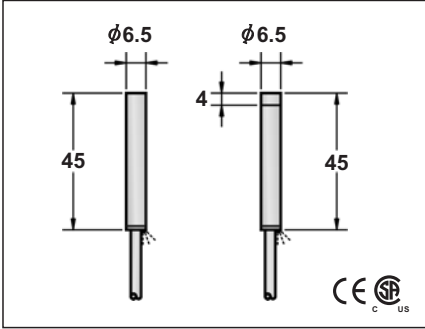


Note:
All cable type have pigtail connect mode,
*CU***/p pigtail mode

3 ϕ 3x0.15
approx. 25 g

DC INDUCTIVE PROXIMITY SWITCH

φ 6.5	
●	○
1mm , 1.5mm	2mm , 2.5mm
stainless steel	
●	

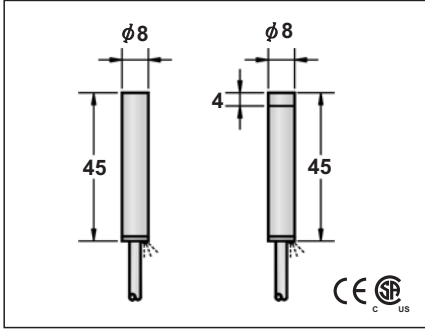


10-30VDC or 5-36VDC
<10%
<10mA
200mA
<0.01mA
-
-
<1.5V(10-30V) or <1.0V(5-36V)
2KHZ
0.1ms/0.1ms
<15%(Sr)
<1.0%(Sr)
IP67
-25°C - +70°C
<10%(Sr)
YES
220mA
<10ms
RFI>3V/m / EFT>1KV / ESD>4KV (contact)
IEC 60947-5-2,Part 7.4.1 / IEC 60947-5-2,Part 7.4.2
POM

FCU1-D0601N-A3U2	1	FCU2-D0602N-A3U2
FCU1-D0601N-B3U2	2	FCU2-D0602N-B3U2
FCU1-D0601P-A3U2	3	FCU2-D0602P-A3U2
FCU1-D0601P-B3U2	4	FCU2-D0602P-B3U2
FCU1-D0601N-S4U2	6	FCU2-D0602N-S4U2
FCU1-D0601P-S4U2	5	FCU2-D0602P-S4U2
FCU1-D0601C-A2U2	7	FCU2-D0602C-A2U2
FCU1-D0601C-B2U2	8	FCU2-D0602C-B2U2
ICU1-D061.5N-A3U2	1	ICU2-D062.5N-A3U2
ICU1-D061.5N-B3U2	2	ICU2-D062.5N-B3U2
ICU1-D061.5P-A3U2	3	ICU2-D062.5P-A3U2
ICU1-D061.5P-B3U2	4	ICU2-D062.5P-B3U2
ICU1-D061.5N-S4U2	6	ICU2-D062.5N-S4U2
ICU1-D061.5P-S4U2	5	ICU2-D062.5P-S4U2

FCU*** └─ stainless steel tube
3 φ 3x0.15
Approx.36 g

φ 8	
●	○
1mm , 1.5mm	2mm , 2.5mm
stainless steel	
●	

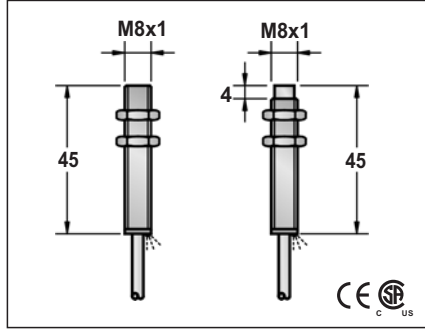


10-30VDC or 5-36VDC
<10%
<10mA
200mA
<0.01mA
-
-
<1.5V(10-30V) or <1.0V(5-36V)
2KHZ
0.1ms/0.1ms
<15%(Sr)
<1.0%(Sr)
IP67
-25°C - +70°C
<10%(Sr)
YES
220mA
<10ms
RFI>3V/m / EFT>1KV / ESD>4KV (contact)
IEC 60947-5-2,Part 7.4.1 / IEC 60947-5-2,Part 7.4.2
POM

FCU1-D0801N-A3U2	1	FCU2-D0802N-A3U2
FCU1-D0801N-B3U2	2	FCU2-D0802N-B3U2
FCU1-D0801P-A3U2	3	FCU2-D0802P-A3U2
FCU1-D0801P-B3U2	4	FCU2-D0802P-B3U2
FCU1-D0801P-S4U2	6	FCU2-D0802P-S4U2
FCU1-D0801N-S4U2	5	FCU2-D0802N-S4U2
FCU1-D0801C-A2U2	7	FCU2-D0802C-A2U2
FCU1-D0801C-B2U2	8	FCU2-D0802C-B2U2
ICU1-D081.5N-A3U2	1	ICU2-D082.5N-A3U2
ICU1-D081.5N-B3U2	2	ICU2-D082.5N-B3U2
ICU1-D081.5P-A3U2	3	ICU2-D082.5P-A3U2
ICU1-D081.5P-B3U2	4	ICU2-D082.5P-B3U2
ICU1-D081.5P-S4U2	6	ICU2-D082.5P-S4U2
ICU1-D081.5N-S4U2	5	ICU2-D082.5N-S4U2

Please see Page 18 for details and specifications of DC 2-Wire models on this page.	
3 φ 3x0.15	
Approx.38 g	Approx.36 g

M 8	
●	○
1mm , 1.5mm	2mm , 2.5mm
stainless steel	
●	



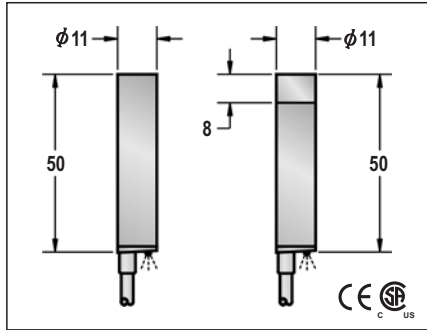
10-30VDC or 5-36VDC
<10%
<10mA
200mA
<0.01mA
-
-
<1.5V(10-30V) or <1.0V(5-36V)
2KHZ
0.1ms/0.1ms
<15%(Sr)
<1.0%(Sr)
IP67
-25°C - +70°C
<10%(Sr)
YES
220mA
<10ms
RFI>3V/m / EFT>1KV / ESD>4KV (contact)
IEC 60947-5-2,Part 7.4.1 / IEC 60947-5-2,Part 7.4.2
POM

FCU1-0801N-A3U2	1	FCU2-0802N-A3U2
FCU1-0801N-B3U2	2	FCU2-0802N-B3U2
FCU1-0801P-A3U2	3	FCU2-0802P-A3U2
FCU1-0801P-B3U2	4	FCU2-0802P-B3U2
FCU1-0801P-S4U2	6	FCU2-0802P-S4U2
FCU1-0801N-S4U2	5	FCU2-0802N-S4U2
FCU1-0801C-A2U2	7	FCU2-0802C-A2U2
FCU1-0801C-B2U2	8	FCU2-0802C-B2U2
ICU1-081.5N-A3U2	1	ICU2-082.5N-A3U2
ICU1-081.5N-B3U2	2	ICU2-082.5N-B3U2
ICU1-081.5P-A3U2	3	ICU2-082.5P-A3U2
ICU1-081.5P-B3U2	4	ICU2-082.5P-B3U2
ICU1-081.5P-S4U2	6	ICU2-082.5P-S4U2
ICU1-081.5N-S4U2	5	ICU2-082.5N-S4U2

1. 5-36v: ICU*-*****-**** type switching	
distance Sn=1.5mm (shielded), Sn=2.5mm (non-shielded).	
3 φ 3x0.15	
Approx.40 g	

DC INDUCTIVE PROXIMITY SWITCH

φ 11	
●	○
2 mm	4 mm
stainless steel or nickel plated brass	
●	



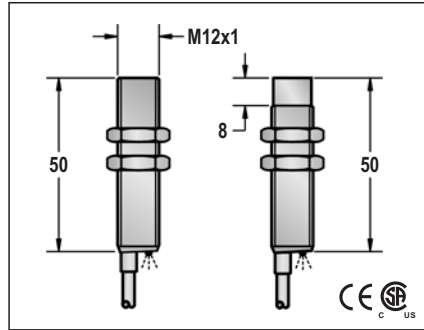
10-30VDC or 5-36VDC or 10-55VDC	
<10%	
<10mA	<20mA
200mA	
<0.01mA	
-	
-	
<1.5V or <1.0V or <2.0V	
2KHZ	1KHZ
0.1ms/0.1ms	0.2ms/0.2ms
<15%(Sr)	
<1.0%(Sr)	
IP67	
-25°C - +70°C	
<10%(Sr)	
YES	
220mA	
<10ms	
RFI>3V/m / EFT>1KV / ESD>4KV (contact)	
IEC 60947-5-2,Part 7.4.1 / IEC 60947-5-2,Part 7.4.2	
POM	

FCM1-D1102N-A3U2	1	FCM2-D1104N-A3U2
FCM1-D1102N-B3U2	2	FCM2-D1104N-B3U2
FCM1-D1102P-A3U2	3	FCM2-D1104P-A3U2
FCM1-D1102P-B3U2	4	FCM2-D1104P-B3U2
FCM1-D1102P-S4U2	6	FCM2-D1104P-S4U2
FCM1-D1102N-S4U2	2	FCM2-D1104N-S4U2
FCM1-D1102C-A2U2	7	FCM2-D1104C-A2U2
FCM1-D1102C-B2U2	8	FCM2-D1104C-B2U2
HCM1-D1102N-A3U2	1	HCM2-D1104N-A3U2
HCM1-D1102N-B3U2	2	HCM2-D1104N-B3U2
HCM1-D1102P-A3U2	3	HCM2-D1104P-A3U2
HCM1-D1102P-B3U2	4	HCM2-D1104P-B3U2
ICM1-D1102N-A3U2	1	ICM2-D1104N-A3U2
ICM1-D1102N-B3U2	2	ICM2-D1104N-B3U2
ICM1-D1102P-A3U2	3	ICM2-D1104P-A3U2
ICM1-D1102P-B3U2	4	ICM2-D1104P-B3U2
ICM1-D1102P-S4U2	6	ICM2-D1104P-S4U2
ICM1-D1102N-S4U2	2	ICM2-D1104N-S4U2

Voltage Drop: <1.5V (for Operating Volt. 10-30V)
<1V (for Operating Volt. 5-36V)
<2V (for Operating Volt. 10-55V)
This applies to all models in the category of
DC INDUCTIVE PROXIMITY SWITCH.

4 φ 3x0.15	
Approx.55 g	

M 12	
●	○
2 mm	4 mm
stainless steel or nickel plated brass	
●	



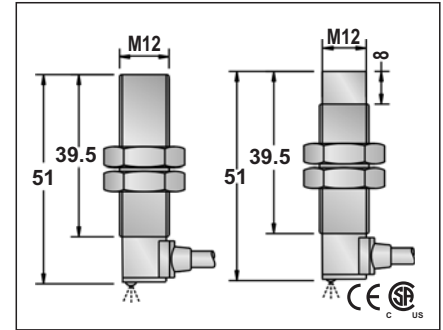
10-30VDC or 5-36VDC or 10-55VDC	
<10%	
<10mA	<20mA
200mA	
<0.01mA	
-	
-	
<1.5V or <1.0V or <2.0V	
2KHZ	1KHZ
0.1ms/0.1ms	0.2ms/0.2ms
<15%(Sr)	
<1.0%(Sr)	
IP67	
-25°C - +70°C	
<10%(Sr)	
YES	
220mA	
<10ms	
RFI>3V/m / EFT>1KV / ESD>4KV (contact)	
IEC 60947-5-2,Part 7.4.1 / IEC 60947-5-2,Part 7.4.2	
POM	PBT

FCM1-1202N-A3U2	1	FCM2-1204N-A3U2
FCM1-1202N-B3U2	2	FCM2-1204N-B3U2
FCM1-1202P-A3U2	3	FCM2-1204P-A3U2
FCM1-1202P-B3U2	4	FCM2-1204P-B3U2
FCM1-1202P-S4U2	6	FCM2-1204P-S4U2
FCM1-1202N-S4U2	5	FCM2-1204N-S4U2
FCM1-1202C-A2U2	7	FCM2-1204C-A2U2
FCM1-1202C-B2U2	8	FCM2-1204C-B2U2
HCM1-1202N-A3U2	1	HCM2-1204N-A3U2
HCM1-1202N-B3U2	2	HCM2-1204N-B3U2
HCM1-1202P-A3U2	3	HCM2-1204P-A3U2
HCM1-1202P-B3U2	4	HCM2-1204P-B3U2
ICM1-1202N-A3U2	1	ICM2-1204N-A3U2
ICM1-1202N-B3U2	2	ICM2-1204N-B3U2
ICM1-1202P-A3U2	3	ICM2-1204P-A3U2
ICM1-1202P-B3U2	4	ICM2-1204P-B3U2
ICM1-1202P-S4U2	6	ICM2-1204P-S4U2
ICM1-1202N-S4U2	5	ICM2-1204N-S4U2

Please see Page 18 for details and
specifications of DC 2-Wire models
on this page.

4 φ 3x0.15	
Approx.67 g	Approx.65 g

M 12	
●	○
2 mm	4 mm
stainless steel or nickel plated brass	
●	



10-30VDC or 5-36VDC or 10-55VDC	
<10%	
<10mA	<20mA
200mA	
<0.01mA	
-	
-	
<1.5V or <1.0V or <2.0V	
2KHZ	1KHZ
0.1ms/0.1ms	0.2ms/0.2ms
<15%(Sr)	
<1.0%(Sr)	
IP67	
-25°C - +70°C	
<10%(Sr)	
YES	
220mA	
<10ms	
RFI>3V/m / EFT>1KV / ESD>4KV (contact)	
IEC 60947-5-2,Part 7.4.1 / IEC 60947-5-2,Part 7.4.2	
POM	PBT

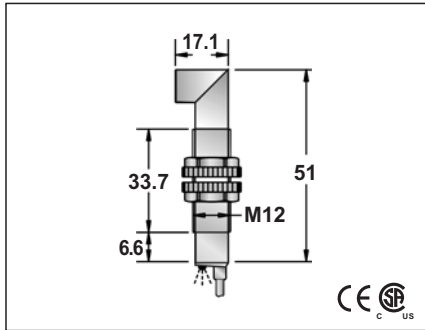
FCM1-1202N-A3U2Y	1	FCM2-1204N-A3U2Y
FCM1-1202N-B3U2Y	2	FCM2-1204N-B3U2Y
FCM1-1202P-A3U2Y	3	FCM2-1204P-A3U2Y
FCM1-1202P-B3U2Y	4	FCM2-1204P-B3U2Y
FCM1-1202P-S4U2Y	6	FCM2-1204P-S4U2Y
FCM1-1202N-S4U2Y	5	FCM2-1204N-S4U2Y
FCM1-1202C-A2U2Y	7	FCM2-1204C-A2U2Y
FCM1-1202C-B2U2Y	8	FCM2-1204C-B2U2Y
HCM1-1202N-A3U2Y	1	HCM2-1204N-A3U2Y
HCM1-1202N-B3U2Y	2	HCM2-1204N-B3U2Y
HCM1-1202P-A3U2Y	3	HCM2-1204P-A3U2Y
HCM1-1202P-B3U2Y	4	HCM2-1204P-B3U2Y
ICM1-1202N-A3U2Y	1	ICM2-1204N-A3U2Y
ICM1-1202N-B3U2Y	2	ICM2-1204N-B3U2Y
ICM1-1202P-A3U2Y	3	ICM2-1204P-A3U2Y
ICM1-1202P-B3U2Y	4	ICM2-1204P-B3U2Y
ICM1-1202P-S4U2Y	6	ICM2-1204P-S4U2Y
ICM1-1202N-S4U2Y	5	ICM2-1204N-S4U2Y

Hxxx-xxxx-xxxx.
↳ DC 10-55V type no load current
< 20mA. Following page is same.

4 φ 3x0.15	
Approx.67 g	Approx.65 g

DC INDUCTIVE PROXIMITY SWITCH

M 12	
●	○
2 mm	4 mm
stainless steel or nickel plated brass	
●	



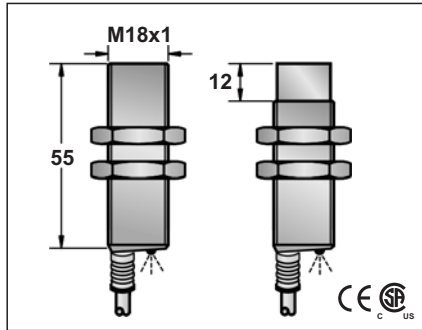
10-30VDC or 5-36VDC or 10-55VDC	
<10%	
<10mA	<20mA
200mA	
<0.01mA	
-	
-	
<1.5V or <1.0V or <2.0V	
2KHZ	1KHZ
0.1ms/0.1ms	0.2ms/0.2ms
<15%(Sr)	
<1.0%(Sr)	
IP67	
-25 °C - +70 °C	
<10%(Sr)	
YES	
220mA	
<10ms	
RFI>3V/m / EFT>1KV / ESD>4KV (contact)	
IEC 60947-5-2,Part 7.4.1 / IEC 60947-5-2,Part 7.4.2	
POM	

FCM1-1202N-A3U2Z	1	FCM2-1204N-A3U2Z
FCM1-1202N-B3U2Z	2	FCM2-1204N-B3U2Z
FCM1-1202P-A3U2Z	3	FCM2-1204P-A3U2Z
FCM1-1202P-B3U2Z	4	FCM2-1204P-B3U2Z
FCM1-1202P-S4U2Z	6	FCM2-1204P-S4U2Z
FCM1-1202N-S4U2Z	5	FCM2-1204N-S4U2Z
FCM1-1202C-A2U2Z	7	FCM2-1204C-A2U2Z
FCM1-1202C-B2U2Z	8	FCM2-1204C-B2U2Z
HCM1-1202N-A3U2Z	1	HCM2-1204N-A3U2Z
HCM1-1202N-B3U2Z	2	HCM2-1204N-B3U2Z
HCM1-1202P-A3U2Z	3	HCM2-1204P-A3U2Z
HCM1-1202P-B3U2Z	4	HCM2-1204P-B3U2Z
ICM1-1202N-A3U2Z	1	ICM2-1204N-A3U2Z
ICM1-1202N-B3U2Z	2	ICM2-1204N-B3U2Z
ICM1-1202P-A3U2Z	3	ICM2-1204P-A3U2Z
ICM1-1202P-B3U2Z	4	ICM2-1204P-B3U2Z
ICM1-1202P-S4U2Z	6	ICM2-1204P-S4U2Z
ICM1-1202N-S4U2Z	5	ICM2-1204N-S4U2Z

Voltage Drop: <1.5V (for Operating Volt. 10-30V)
 <1V (for Operating Volt. 5-36V)
 <2V (for Operating Volt. 10-55V)
 This applies to all models in the category of
 DC INDUCTIVE PROXIMITY SWITCH.

4 φ 3x0.15	
Approx.153 g	Approx.144 g

M18	
●	○
5 mm	8 mm
stainless steel or nickel plated brass	
●	



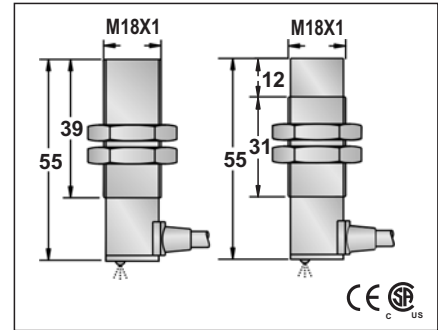
10-30VDC or 5-36VDC or 10-55VDC	
<10%	
<10mA	<20mA
200mA	
<0.01mA	
-	
-	
<1.5V or <1.0V or <2.0V	
1KHZ	500HZ
0.2ms/0.2ms	0.5ms/0.5ms
<15%(Sr)	
<1.0%(Sr)	
IP67	
-25 °C - +70 °C	
<10%(Sr)	
YES	
220mA	
<10ms	
RFI>3V/m / EFT>1KV / ESD>4KV (contact)	
IEC 60947-5-2,Part 7.4.1 / IEC 60947-5-2,Part 7.4.2	
PBT	

FCM1-1805N-A3U2	1	FCM2-1808N-A3U2
FCM1-1805N-B3U2	2	FCM2-1808N-B3U2
FCM1-1805P-A3U2	3	FCM2-1808P-A3U2
FCM1-1805P-B3U2	4	FCM2-1808P-B3U2
FCM1-1805P-S4U2	6	FCM2-1808P-S4U2
FCM1-1805N-S4U2	5	FCM2-1808N-S4U2
FCM1-1805C-A2U2	7	FCM2-1808C-A2U2
FCM1-1805C-B2U2	8	FCM2-1808C-B2U2
HCM1-1805N-A3U2	1	HCM2-1808N-A3U2
HCM1-1805N-B3U2	2	HCM2-1808N-B3U2
HCM1-1805P-A3U2	3	HCM2-1808P-A3U2
HCM1-1805P-B3U2	4	HCM2-1808P-B3U2
ICM1-1805N-A3U2	1	ICM2-1808N-A3U2
ICM1-1805N-B3U2	2	ICM2-1808N-B3U2
ICM1-1805P-A3U2	3	ICM2-1808P-A3U2
ICM1-1805P-B3U2	4	ICM2-1808P-B3U2
ICM1-1805P-S4U2	6	ICM2-1808P-S4U2
ICM1-1805N-S4U2	5	ICM2-1808N-S4U2

Please see Page 18 for details and
 specifications of DC 2-Wire models
 on this page.

5.0 φ 44x0.1	
Approx.153 g	Approx.144 g

M 18	
●	○
5 mm	8 mm
stainless steel or nickel plated brass	
●	



10-30VDC or 5-36VDC or 10-55VDC	
<10%	
<10mA	<20mA
200mA	
<0.01mA	
-	
-	
<1.5V or <1.0V or <2.0V	
1KHZ	500HZ
0.2ms/0.2ms	0.5ms/0.5ms
<15%(Sr)	
<1.0%(Sr)	
IP67	
-25 °C - +70 °C	
<10%(Sr)	
YES	
220mA	
<10ms	
RFI>3V/m / EFT>1KV / ESD>4KV (contact)	
IEC 60947-5-2,Part 7.4.1 / IEC 60947-5-2,Part 7.4.2	
PBT	

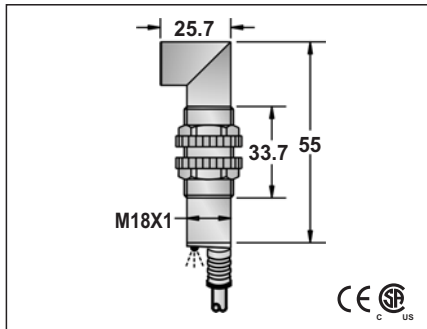
FCM1-1805N-A3U2Y	1	FCM2-1808N-A3U2Y
FCM1-1805N-B3U2Y	2	FCM2-1808N-B3U2Y
FCM1-1805P-A3U2Y	3	FCM2-1808P-A3U2Y
FCM1-1805P-B3U2Y	4	FCM2-1808P-B3U2Y
FCM1-1805P-S4U2Y	6	FCM2-1808P-S4U2Y
FCM1-1805N-S4U2Y	5	FCM2-1808N-S4U2Y
FCM1-1805C-A2U2Y	7	FCM2-1808C-A2U2Y
FCM1-1805C-B2U2Y	8	FCM2-1808C-B2U2Y
HCM1-1805N-A3U2Y	1	HCM2-1808N-A3U2Y
HCM1-1805N-B3U2Y	2	HCM2-1808N-B3U2Y
HCM1-1805P-A3U2Y	3	HCM2-1808P-A3U2Y
HCM1-1805P-B3U2Y	4	HCM2-1808P-B3U2Y
ICM1-1805N-A3U2Y	1	ICM2-1808N-A3U2Y
ICM1-1805N-B3U2Y	2	ICM2-1808N-B3U2Y
ICM1-1805P-A3U2Y	3	ICM2-1808P-A3U2Y
ICM1-1805P-B3U2Y	4	ICM2-1808P-B3U2Y
ICM1-1805P-S4U2Y	6	ICM2-1808P-S4U2Y
ICM1-1805N-S4U2Y	5	ICM2-1808N-S4U2Y

5.0 φ 44x0.1	
Approx.153 g	Approx.144 g

M18、M30、Q20x32x10

DC INDUCTIVE PROXIMITY SWITCH

M 18	
●	○
5 mm	8 mm
stainless steel or nickel plated brass	
●	



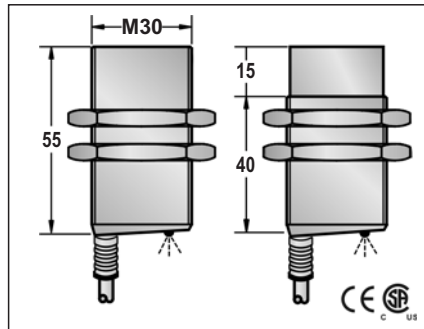
10-30VDC or 5-36VDC or 10-55VDC	
<10%	
<10mA	<20mA
200mA	
<0.01mA	
-	
<1.5V or <1.0V or <2.0V	
1KHZ	500HZ
0.2ms/0.2ms	0.5ms/0.5ms
<15%(Sr)	
<1.0%(Sr)	
IP67	
-25 °C - +70 °C	
<10%(Sr)	
YES	
220mA	
<10ms	
RFI>3V/m / EFT>1KV / ESD>4KV (contact)	
IEC 60947-5-2,Part 7.4.1 / IEC 60947-5-2,Part 7.4.2	
PBT	

FCM1-1805N-A3U2Z	1	FCM2-1808N-A3U2Z
FCM1-1805N-B3U2Z	2	FCM2-1808N-B3U2Z
FCM1-1805P-A3U2Z	3	FCM2-1808P-A3U2Z
FCM1-1805P-B3U2Z	4	FCM2-1808P-B3U2Z
FCM1-1805P-S4U2Z	6	FCM2-1808P-S4U2Z
FCM1-1805N-S4U2Z	5	FCM2-1808N-S4U2Z
FCM1-1805C-A2U2Z	7	FCM2-1808C-A2U2Z
FCM1-1805C-B2U2Z	8	FCM2-1808C-B2U2Z
HCM1-1805N-A3U2Z	1	HCM2-1808N-A3U2Z
HCM1-1805N-B3U2Z	2	HCM2-1808N-B3U2Z
HCM1-1805P-A3U2Z	3	HCM2-1808P-A3U2Z
HCM1-1805P-B3U2Z	4	HCM2-1808P-B3U2Z
ICM1-1805N-A3U2Z	1	ICM2-1808N-A3U2Z
ICM1-1805N-B3U2Z	2	ICM2-1808N-B3U2Z
ICM1-1805P-A3U2Z	3	ICM2-1808P-A3U2Z
ICM1-1805P-B3U2Z	4	ICM2-1808P-B3U2Z
ICM1-1805P-S4U2Z	6	ICM2-1808P-S4U2Z
ICM1-1805N-S4U2Z	5	ICM2-1808N-S4U2Z

Voltage Drop: <1.5V (for Operating Volt. 10-30V)
<1V (for Operating Volt. 5-36V)
<2V (for Operating Volt. 10-55V)
This applies to all models in the category of
DC INDUCTIVE PROXIMITY SWITCH.

5.0φ 44x0.1	
Approx.153 g	Approx.144 g

M 30	
●	○
10 mm	15 mm
stainless steel or nickel plated brass	
●	



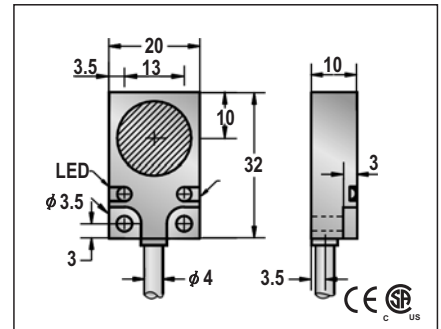
10-30VDC or 5-36VDC or 10-55VDC	
<10%	
<10mA	<20mA
200mA	
<0.01mA	
-	
<1.5V or <1.0V or <2.0V	
1KHZ	500HZ
0.2ms/0.2ms	0.5ms/0.5ms
<15%(Sr)	
<1.0%(Sr)	
IP67	
-25 °C - +70 °C	
<10%(Sr)	
YES	
220mA	
<10ms	
RFI>3V/m / EFT>1KV / ESD>4KV (contact)	
IEC 60947-5-2,Part 7.4.1 / IEC 60947-5-2,Part 7.4.2	
PBT	

FCM1-3010N-A3U2	1	FCM2-3015N-A3U2
FCM1-3010N-B3U2	2	FCM2-3015N-B3U2
FCM1-3010P-A3U2	3	FCM2-3015P-A3U2
FCM1-3010P-B3U2	4	FCM2-3015P-B3U2
FCM1-3010P-S4U2	6	FCM2-3015P-S4U2
FCM1-3010N-S4U2	5	FCM2-3015N-S4U2
FCM1-3010C-A2U2	7	FCM2-3015C-A2U2
FCM1-3010C-B2U2	8	FCM2-3015C-B2U2
HCM1-3010N-A3U2	1	HCM2-3015N-A3U2
HCM1-3010N-B3U2	2	HCM2-3015N-B3U2
HCM1-3010P-A3U2	3	HCM2-3015P-A3U2
HCM1-3010P-B3U2	4	HCM2-3015P-B3U2
ICM1-3010N-A3U2	1	ICM2-3015N-A3U2
ICM1-3010N-B3U2	2	ICM2-3015N-B3U2
ICM1-3010P-A3U2	3	ICM2-3015P-A3U2
ICM1-3010P-B3U2	4	ICM2-3015P-B3U2
ICM1-3010P-S4U2	6	ICM2-3015P-S4U2
ICM1-3010N-S4U2	5	ICM2-3015N-S4U2

Please see Page 18 for details and
specifications of DC 2-Wire models
on this page.

5.8φ3x0.5	
Approx.217 g	Approx.207 g

Q20x32x10	
●	
5 mm	
die-cast	
●	



10-30VDC or 5-36VDC or 10-55VDC	
<10%	
<10mA	<20mA
200mA	
<0.01mA	
-	
<1.5V or <1.0V or <2.0V	
1KHZ	500HZ
0.2ms/0.2ms	0.5ms/0.5ms
<15%(Sr)	
<1.0%(Sr)	
IP67	
-25 °C - +70 °C	
<10%(Sr)	
YES	
220mA	
<10ms	
RFI>3V/m / EFT>1KV / ESD>4KV (contact)	
IEC 60947-5-2,Part 7.4.1 / IEC 60947-5-2,Part 7.4.2	
PBT	

FQM1-2005N-A3U2T	1
FQM1-2005N-B3U2T	2
FQM1-2005P-A3U2T	3
FQM1-2005P-B3U2T	4
FQM1-2005P-S4U2T	6
FQM1-2005N-S4U2T	5
FQM1-2005C-A2U2T	7
FQM1-2005C-B2U2T	8
HQM1-2005N-A3U2T	1
HQM1-2005N-B3U2T	2
HQM1-2005P-A3U2T	3
HQM1-2005P-B3U2T	4
IQM1-2005N-A3U2T	1
IQM1-2005N-B3U2T	2
IQM1-2005P-A3U2T	3
IQM1-2005P-B3U2T	4
IQM1-2005P-S4U2T	6
IQM1-2005N-S4U2T	5

4φ 3x0.15	
Approx.55 g	

Note:

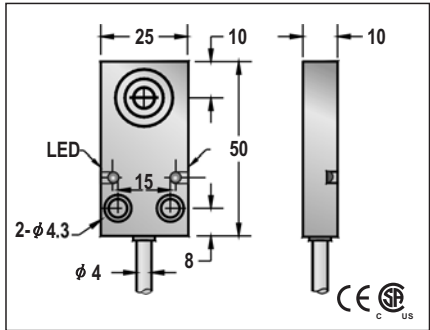
Coming Soon : Part numbers with underline

DC INDUCTIVE PROXIMITY SWITCH

DC INDUCTIVE PROXIMITY SWITCH

Q25x50x10

●
5 mm
die-cast
●



10-30VDC or 5-36VDC or 10-55VDC	
<10%	
<10mA	<20mA
200mA	
<0.01mA	
-	
<1.5V or <1.0V or <2.0V	
1KHZ	
0.2ms/0.2ms	
<15%(Sr)	
<1.0%(Sr)	
IP67	
-25°C - +70°C	
<10%(Sr)	
YES	
220mA	
<10ms	
RFI>3V/m / EFT>1KV / ESD>4KV (contact)	
IEC 60947-5-2, Part 7.4.1 / IEC 60947-5-2, Part 7.4.2	
PBT	

<u>FQM1-2505N-A3U2T</u>	1
<u>FQM1-2505N-B3U2T</u>	2
<u>FQM1-2505P-A3U2T</u>	3
<u>FQM1-2505P-B3U2T</u>	4
<u>FQM1-2505P-S4U2T</u>	6
<u>FQM1-2505N-S4U2T</u>	5
FQM1-2505C-A2U2T	7
FQM1-2505C-B2U2T	8
<u>HQM1-2505N-A3U2T</u>	1
<u>HQM1-2505N-B3U2T</u>	2
<u>HQM1-2505P-A3U2T</u>	3
<u>HQM1-2505P-B3U2T</u>	4
<u>IQM1-2505N-A3U2T</u>	1
<u>IQM1-2505N-B3U2T</u>	2
<u>IQM1-2505P-A3U2T</u>	3
<u>IQM1-2505P-B3U2T</u>	4
<u>IQM1-2505P-S4U2T</u>	6
<u>IQM1-2505N-S4U2T</u>	5

Voltage Drop: <1.5V (for Operating Volt. 10-30V) <1V (for Operating Volt. 5-36V) <2V (for Operating Volt. 10-55V) This applies to all models in the category of DC INDUCTIVE PROXIMITY SWITCH.	
4 φ 3x0.15 Approx.55 g	

--

--

--

--

--

Please see Page 18 for details and specifications of DC 2-Wire models on this page.

--

--

--

--

--

--

Note:
Coming Soon : Part numbers with underline

DC INDUCTIVE SHORT FORM PROXIMITY SWITCH

DC INDUCTIVE SHORT FORM PROXIMITY SWITCH

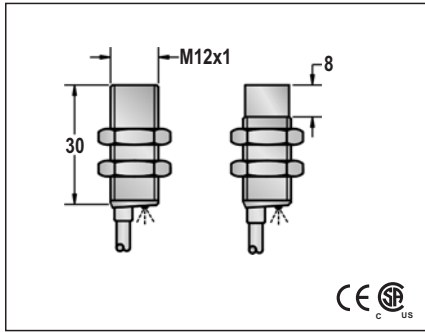
ϕ6.5		M 8		ϕ11	
●	○	●	○	●	○
1mm , 1.5mm	2mm , 2.5mm	1mm , 1.5mm	2mm , 2.5mm	2 mm	4 mm
stainless steel		stainless steel		stainless steel or nickel plated brass	
10-30VDC or 5-36VDC		10-30VDC or 5-36VDC		10-30VDC or 5-36VDC	
<10%		<10%		<10%	
<10mA		<10mA		<10mA	
200mA		200mA		200mA	
<0.01mA		<0.01mA		<0.01mA	
-		-		-	
<1.5V(10-30V) or <1.0V(5-36V)		<1.5V(10-30V) or <1.0V(5-36V)		<1.5V(10-30V) or <1.0V(5-36V)	
2KHZ		2KHZ		2KHZ	
0.1ms/0.1ms		0.1ms/0.1ms		0.1ms/0.1ms 1KHZ	
<15%(Sr)		<15%(Sr)		0.2ms/0.2ms <15%(Sr)	
<1.0%(Sr)		<1.0%(Sr)		<1.0%(Sr)	
IP67		IP67		IP67	
-25°C - +70°C		-25°C - +70°C		-25°C - +70°C	
<10%(Sr)		<10%(Sr)		<10%(Sr)	
YES		YES		YES	
220mA		220mA		220mA	
<10ms		<10ms		<10ms	
RFI>3V/m / EFT>1KV / ESD>4KV (contact)		RFI>3V/m / EFT>1KV / ESD>4KV (contact)		RFI>3V/m / EFT>1KV / ESD>4KV (contact)	
IEC 60947-5-2,Part 7.4.1 / IEC 60947-5-2,Part 7.4.2		IEC 60947-5-2,Part 7.4.1 / IEC 60947-5-2,Part 7.4.2		IEC 60947-5-2,Part 7.4.1 / IEC 60947-5-2,Part 7.4.2	
POM		POM		POM	
FCU1-D0601N-A3S2	1	FCU2-D0602N-A3S2		FCM1-D1102N-A3S2	1
FCU1-D0601N-B3S2	2	FCU2-D0602N-B3S2		FCM1-D1102N-B3S2	2
FCU1-D0601P-A3S2	3	FCU2-D0602P-A3S2		FCM1-D1102P-A3S2	3
FCU1-D0601P-B3S2	4	FCU2-D0602P-B3S2		FCM1-D1102P-B3S2	4
ICU1-D061.5N-A3S2	1	ICU2-D062.5N-A3S2		ICM1-D1102N-A3S2	1
ICU1-D061.5N-B3S2	2	ICU2-D062.5N-B3S2		ICM1-D1102N-B3S2	2
ICU1-D061.5P-A3S2	3	ICU2-D062.5P-A3S2		ICM1-D1102P-A3S2	3
ICU1-D061.5P-B3S2	4	ICU2-D062.5P-B3S2		ICM1-D1102P-B3S2	4
5-36v: ICU*.***** type switching distance Sn=1.5mm (shielded), Sn=2.5mm (non-shielded).		5-36v: ICU*.***** type switching distance Sn=1.5mm (shielded), Sn=2.5mm (non-shielded).		Short type changeover 5-36V DC only	
3 ϕ 3x0.15		3 ϕ 3x0.15		4 ϕ 3x0.15	
Approx.40 g		Approx.47 g		Approx.59 g	Approx.58 g

M12、M18、M30

DC INDUCTIVE SHORT FORM PROXIMITY SWITCH

DC INDUCTIVE SHORT FORM PROXIMITY SWITCH

M 12	
●	○
2 mm	4 mm
stainless steel or nickel plated brass	
●	



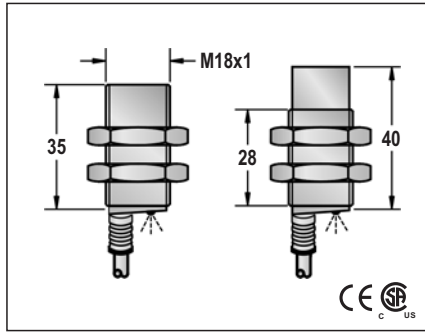
10-30VDC or 5-36VDC	
<10%	
<10mA	
200mA	
<0.01mA	
-	
-	
<1.5V(10-30V) or <1.0V(5-36V)	
2KHZ	1KHZ
0.1ms/0.1ms	0.2ms/0.2ms
<15%(Sr)	
<1.0%(Sr)	
IP67	
-25°C - +70°C	
<10%(Sr)	
YES	
220mA	
<10ms	
RFI>3V/m / EFT>1KV / ESD>4KV (contact)	
IEC 60947-5-2,Part 7.4.1 / IEC 60947-5-2,Part 7.4.2	
POM	PBT

FCM1-1202N-A3S2	1	FCM2-1204N-A3S2
FCM1-1202N-B3S2	2	FCM2-1204N-B3S2
FCM1-1202P-A3S2	3	FCM2-1204P-A3S2
FCM1-1202P-B3S2	4	FCM2-1204P-B3S2
FCM1-1202P-S4S2	6	FCM2-1204P-S4S2
FCM1-1202N-S4S2	5	FCM2-1204N-S4S2
FCM1-1202C-A2S2	7	FCM2-1204C-A2S2
FCM1-1202C-B2S2	8	FCM2-1204C-B2S2
ICM1-1202N-A3S2	1	ICM2-1204N-A3S2
ICM1-1202N-B3S2	2	ICM2-1204N-B3S2
ICM1-1202P-A3S2	3	ICM2-1204P-A3S2
ICM1-1202P-B3S2	4	ICM2-1204P-B3S2
ICM1-1202P-S4S2	6	ICM2-1204P-S4S2
ICM1-1202N-S4S2	5	ICM2-1204N-S4S2

Voltage Drop: <1.5V (for Operating Volt. 10-30V)
 <1V (for Operating Volt. 5-36V)
 <2V (for Operating Volt. 10-55V)
 This applies to all models in the category of
 DC INDUCTIVE PROXIMITY SWITCH.

4 φ 3x0.15	
Approx.62 g	Approx.60 g

M 18	
●	○
5 mm	8 mm
stainless steel or nickel plated brass	
●	



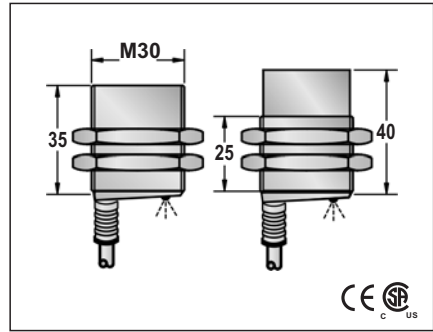
10-30VDC or 5-36VDC or 10-55VDC	
<10%	
<10mA	<20mA
200mA	
<0.01mA	
-	
-	
<1.5V or <1.0V or <2.0V	
1KHZ	500HZ
0.2ms/0.2ms	0.5ms/0.5ms
<15%(Sr)	
<1.0%(Sr)	
IP67	
-25°C - +70°C	
<10%(Sr)	
YES	
220mA	
<10ms	
RFI>3V/m / EFT>1KV / ESD>4KV (contact)	
IEC 60947-5-2,Part 7.4.1 / IEC 60947-5-2,Part 7.4.2	
PBT	

FCM1-1805N-A3S2	1	FCM2-1808N-A3S2
FCM1-1805N-B3S2	2	FCM2-1808N-B3S2
FCM1-1805P-A3S2	3	FCM2-1808P-A3S2
FCM1-1805P-B3S2	4	FCM2-1808P-B3S2
FCM1-1805P-S4S2	6	FCM2-1808P-S4S2
FCM1-1805N-S4S2	5	FCM2-1808N-S4S2
FCM1-1805C-A2S2	7	FCM2-1808C-A2S2
FCM1-1805C-B2S2	8	FCM2-1808C-B2S2
HCM1-1805N-A3S2	1	HCM2-1808N-A3S2
HCM1-1805N-B3S2	2	HCM2-1808N-B3S2
HCM1-1805P-A3S2	3	HCM2-1808P-A3S2
HCM1-1805P-B3S2	4	HCM2-1808P-B3S2
ICM1-1805N-A3S2	1	ICM2-1808N-A3S2
ICM1-1805N-B3S2	2	ICM2-1808N-B3S2
ICM1-1805P-A3S2	3	ICM2-1808P-A3S2
ICM1-1805P-B3S2	4	ICM2-1808P-B3S2
ICM1-1805P-S4S2	6	ICM2-1808P-S4S2
ICM1-1805N-S4S2	5	ICM2-1808N-S4S2

Please see Page 18 for details and
 specifications of DC 2-Wire models
 on this page.

5.0 φ 44x0.1	
Approx.132 g	Approx.134 g

M 30	
●	○
10 mm	15 mm
stainless steel or nickel plated brass	
●	



10-30VDC or 5-36VDC or 10-55VDC	
<10%	
<10mA	<20mA
200mA	
<0.01mA	
-	
-	
<1.5V or <1.0V or <2.0V	
300HZ	150HZ
0.5ms/0.5ms	1ms/1ms
<15%(Sr)	
<1.0%(Sr)	
IP67	
-25°C - +70°C	
<10%(Sr)	
YES	
220mA	
<10ms	
RFI>3V/m / EFT>1KV / ESD>4KV (contact)	
IEC 60947-5-2,Part 7.4.1 / IEC 60947-5-2,Part 7.4.2	
PBT	

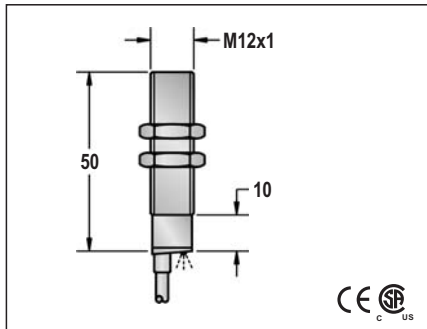
FCM1-3010N-A3S2	1	FCM2-3015N-A3S2
FCM1-3010N-B3S2	2	FCM2-3015N-B3S2
FCM1-3010P-A3S2	3	FCM2-3015P-A3S2
FCM1-3010P-B3S2	4	FCM2-3015P-B3S2
FCM1-3010P-S4S2	6	FCM2-3015P-S4S2
FCM1-3010N-S4S2	5	FCM2-3015N-S4S2
FCM1-3010C-A2S2	7	FCM2-3015C-A2S2
FCM1-3010C-B2S2	8	FCM2-3015C-B2S2
HCM1-3010N-A3S2	1	HCM2-3015N-A3S2
HCM1-3010N-B3S2	2	HCM2-3015N-B3S2
HCM1-3010P-A3S2	3	HCM2-3015P-A3S2
HCM1-3010P-B3S2	4	HCM2-3015P-B3S2
ICM1-3010N-A3S2	1	ICM2-3015N-A3S2
ICM1-3010N-B3S2	2	ICM2-3015N-B3S2
ICM1-3010P-A3S2	3	ICM2-3015P-A3S2
ICM1-3010P-B3S2	4	ICM2-3015P-B3S2
ICM1-3010P-S4S2	6	ICM2-3015P-S4S2
ICM1-3010N-S4S2	5	ICM2-3015N-S4S2

5.8 φ 3x0.5	
Approx.180 g	Approx.182 g

DC INDUCTIVE PLASTIC HOUSING PROXIMITY SWITCH

DC INDUCTIVE PLASTIC HOUSING PROXIMITY SWITCH

M 12	
●	○
2 mm	4 mm
PBT RESIN	
●	



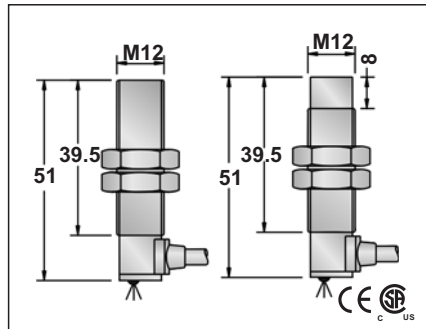
10-30VDC or 5-36VDC or 10-55VDC	
<10%	
<10mA	<20mA
200mA	
<0.01mA	
-	
-	
<1.5V or <1.0V or <2.0V	
2KHZ	1KHZ
0.1ms/0.1ms	0.2ms/0.2ms
<15%(Sr)	
<1.0%(Sr)	
IP67	
-25°C - +70°C	
<10%(Sr)	
YES	
220mA	
<10ms	
RFI>3V/m / EFT>1KV / ESD>4KV (contact)	
IEC 60947-5-2, Part 7.4.1 / IEC 60947-5-2, Part 7.4.2	
POM	

FCP1-1202N-A3U2	1	FCP2-1204N-A3U2
FCP1-1202N-B3U2	2	FCP2-1204N-B3U2
FCP1-1202P-A3U2	3	FCP2-1204P-A3U2
FCP1-1202P-B3U2	4	FCP2-1204P-B3U2
FCP1-1202P-S4U2	6	FCP2-1204P-S4U2
FCP1-1202N-S4U2	5	FCP2-1204N-S4U2
FCP1-1202C-A2U2	7	FCP2-1204C-A2U2
FCP1-1202C-B2U2	8	FCP2-1204C-B2U2
HCP1-1202N-A3U2	1	HCP2-1204N-A3U2
HCP1-1202N-B3U2	2	HCP2-1204N-B3U2
HCP1-1202P-A3U2	3	HCP2-1204P-A3U2
HCP1-1202P-B3U2	4	HCP2-1204P-B3U2
ICP1-1202N-A3U2	1	ICP2-1204N-A3U2
ICP1-1202N-B3U2	2	ICP2-1204N-B3U2
ICP1-1202P-A3U2	3	ICP2-1204P-A3U2
ICP1-1202P-B3U2	4	ICP2-1204P-B3U2
ICP1-1202P-S4U2	6	ICP2-1204P-S4U2
ICP1-1202N-S4U2	5	ICP2-1204N-S4U2

Voltage Drop: <1.5V (for Operating Volt. 10-30V)
 <1V (for Operating Volt. 5-36V)
 <2V (for Operating Volt. 10-55V)
 This applies to all models in the category of DC INDUCTIVE PROXIMITY SWITCH.

4φ 3x0.15
Approx.60 g

M 12	
●	○
2 mm	4 mm
PBT RESIN	
●	



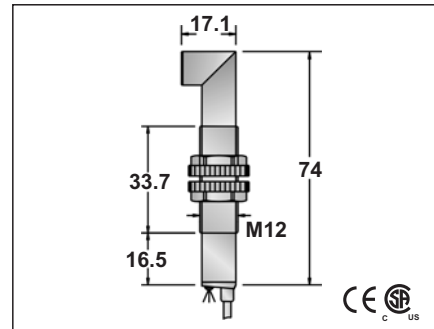
10-30VDC or 5-36VDC or 10-55VDC	
<10%	
<10mA	<20mA
200mA	
<0.01mA	
-	
-	
<1.5V or <1.0V or <2.0V	
2KHZ	1KHZ
0.1ms/0.1ms	0.2ms/0.2ms
<15%(Sr)	
<1.0%(Sr)	
IP67	
-25°C - +70°C	
<10%(Sr)	
YES	
220mA	
<10ms	
RFI>3V/m / EFT>1KV / ESD>4KV (contact)	
IEC 60947-5-2, Part 7.4.1 / IEC 60947-5-2, Part 7.4.2	
POM	PBT

FCP1-1202N-A3U2Y	1	FCP2-1204N-A3U2Y
FCP1-1202N-B3U2Y	2	FCP2-1204N-B3U2Y
FCP1-1202P-A3U2Y	3	FCP2-1204P-A3U2Y
FCP1-1202P-B3U2Y	4	FCP2-1204P-B3U2Y
FCP1-1202P-S4U2Y	6	FCP2-1204P-S4U2Y
FCP1-1202N-S4U2Y	5	FCP2-1204N-S4U2Y
FCP1-1202C-A2U2Y	7	FCP2-1204C-A2U2Y
FCP1-1202C-B2U2Y	8	FCP2-1204C-B2U2Y
HCP1-1202N-A3U2Y	1	HCP2-1204N-A3U2Y
HCP1-1202N-B3U2Y	2	HCP2-1204N-B3U2Y
HCP1-1202P-A3U2Y	3	HCP2-1204P-A3U2Y
HCP1-1202P-B3U2Y	4	HCP2-1204P-B3U2Y
ICP1-1202N-A3U2Y	1	ICP2-1204N-A3U2Y
ICP1-1202N-B3U2Y	2	ICP2-1204N-B3U2Y
ICP1-1202P-A3U2Y	3	ICP2-1204P-A3U2Y
ICP1-1202P-B3U2Y	4	ICP2-1204P-B3U2Y
ICP1-1202P-S4U2Y	6	ICP2-1204P-S4U2Y
ICP1-1202N-S4U2Y	5	ICP2-1204N-S4U2Y

Please see Page 18 for details and specifications of DC 2-Wire models on this page.

4φ 3x0.15
Approx.60 g

M 12	
●	○
2 mm	4 mm
PBT RESIN	
●	



10-30VDC or 5-36VDC or 10-55VDC	
<10%	
<10mA	<20mA
200mA	
<0.01mA	
-	
-	
<1.5V or <1.0V or <2.0V	
2KHZ	1KHZ
0.1ms/0.1ms	0.2ms/0.2ms
<15%(Sr)	
<1.0%(Sr)	
IP67	
-25°C - +70°C	
<10%(Sr)	
YES	
220mA	
<10ms	
RFI>3V/m / EFT>1KV / ESD>4KV (contact)	
IEC 60947-5-2, Part 7.4.1 / IEC 60947-5-2, Part 7.4.2	
POM	

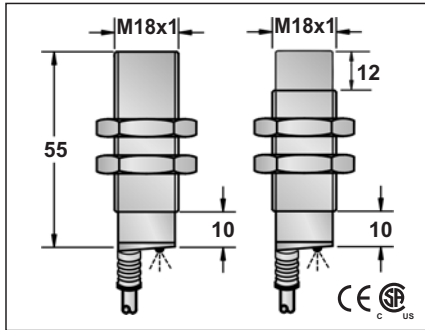
FCP1-1202N-A3U2Z	1	FCP2-1204N-A3U2Z
FCP1-1202N-B3U2Z	2	FCP2-1204N-B3U2Z
FCP1-1202P-A3U2Z	3	FCP2-1204P-A3U2Z
FCP1-1202P-B3U2Z	4	FCP2-1204P-B3U2Z
FCP1-1202P-S4U2Z	6	FCP2-1204P-S4U2Z
FCP1-1202N-S4U2Z	5	FCP2-1204N-S4U2Z
FCP1-1202C-A2U2Z	7	FCP2-1204C-A2U2Z
FCP1-1202C-B2U2Z	8	FCP2-1204C-B2U2Z
HCP1-1202N-A3U2Z	1	HCP2-1204N-A3U2Z
HCP1-1202N-B3U2Z	2	HCP2-1204N-B3U2Z
HCP1-1202P-A3U2Z	3	HCP2-1204P-A3U2Z
HCP1-1202P-B3U2Z	4	HCP2-1204P-B3U2Z
ICP1-1202N-A3U2Z	1	ICP2-1204N-A3U2Z
ICP1-1202N-B3U2Z	2	ICP2-1204N-B3U2Z
ICP1-1202P-A3U2Z	3	ICP2-1204P-A3U2Z
ICP1-1202P-B3U2Z	4	ICP2-1204P-B3U2Z
ICP1-1202P-S4U2Z	6	ICP2-1204P-S4U2Z
ICP1-1202N-S4U2Z	5	ICP2-1204N-S4U2Z

4φ 3x0.15
Approx.60 g

Note:
 Coming Soon : Part numbers with underline

DC INDUCTIVE PLASTIC HOUSING PROXIMITY SWITCH

M 18	
●	○
2 mm	4 mm
PBT RESIN	
●	



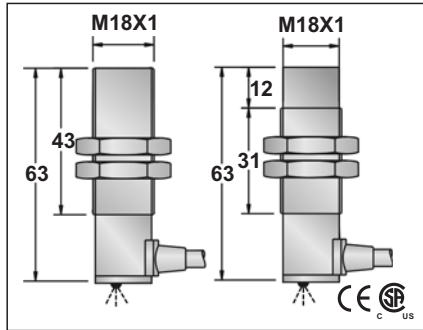
10-30VDC or 5-36VDC or 10-55VDC	
<10%	
<10mA	<20mA
200mA	
<0.01mA	
-	
-	
<1.5V or <1.0V or <2.0V	
1KHZ	500HZ
0.2ms/0.2ms	0.5ms/0.5ms
<15%(Sr)	
<1.0%(Sr)	
IP67	
-25 °C - +70 °C	
<10%(Sr)	
YES	
220mA	
<10ms	
RFI>3V/m / EFT>1KV / ESD>4KV (contact)	
IEC 60947-5-2,Part 7.4.1 / IEC 60947-5-2,Part 7.4.2	
PBT	

FCP1-1805N-A3U2	1	FCP2-1808N-A3U2
FCP1-1805N-B3U2	2	FCP2-1808N-B3U2
FCP1-1805P-A3U2	3	FCP2-1808P-A3U2
FCP1-1805P-B3U2	4	FCP2-1808P-B3U2
FCP1-1805P-S4U2	6	FCP2-1808P-S4U2
FCP1-1805N-S4U2	5	FCP2-1808N-S4U2
FCP1-1805C-A2U2	7	FCP2-1808C-A2U2
FCP1-1805C-B2U2	8	FCP2-1808C-B2U2
HCP1-1805N-A3U2	1	HCP2-1808N-A3U2
HCP1-1805N-B3U2	2	HCP2-1808N-B3U2
HCP1-1805P-A3U2	3	HCP2-1808P-A3U2
HCP1-1805P-B3U2	4	HCP2-1808P-B3U2
ICP1-1805N-A3U2	1	ICP2-1808N-A3U2
ICP1-1805N-B3U2	2	ICP2-1808N-B3U2
ICP1-1805P-A3U2	3	ICP2-1808P-A3U2
ICP1-1805P-B3U2	4	ICP2-1808P-B3U2
ICP1-1805P-S4U2	6	ICP2-1808P-S4U2
ICP1-1805N-S4U2	5	ICP2-1808N-S4U2

Voltage Drop: <1.5V (for Operating Volt. 10-30V)
 <1V (for Operating Volt. 5-36V)
 <2V (for Operating Volt. 10-55V)
 This applies to all models in the category of
 DC INDUCTIVE PROXIMITY SWITCH.

5.0φ44 x 0.1
Approx.135 g

M 18	
●	○
5 mm	8 mm
PBT RESIN	
●	



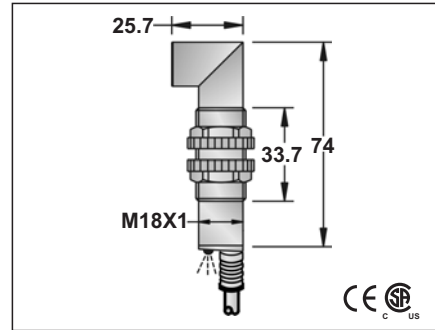
10-30VDC or 5-36VDC or 10-55VDC	
<10%	
<10mA	<20mA
200mA	
<0.01mA	
-	
-	
<1.5V or <1.0V or <2.0V	
1KHZ	500HZ
0.2ms/0.2ms	0.5ms/0.5ms
<15%(Sr)	
<1.0%(Sr)	
IP67	
-25 °C - +70 °C	
<10%(Sr)	
YES	
220mA	
<10ms	
RFI>3V/m / EFT>1KV / ESD>4KV (contact)	
IEC 60947-5-2,Part 7.4.1 / IEC 60947-5-2,Part 7.4.2	
PBT	

FCP1-1805N-A3U2Y	1	FCP2-1808N-A3U2Y
FCP1-1805N-B3U2Y	2	FCP2-1808N-B3U2Y
FCP1-1805P-A3U2Y	3	FCP2-1808P-A3U2Y
FCP1-1805P-B3U2Y	4	FCP2-1808P-B3U2Y
FCP1-1805P-S4U2Y	6	FCP2-1808P-S4U2Y
FCP1-1805N-S4U2Y	5	FCP2-1808N-S4U2Y
FCP1-1805C-A2U2Y	7	FCP2-1808C-A2U2Y
FCP1-1805C-B2U2Y	8	FCP2-1808C-B2U2Y
HCP1-1805N-A3U2Y	1	HCP2-1808N-A3U2Y
HCP1-1805N-B3U2Y	2	HCP2-1808N-B3U2Y
HCP1-1805P-A3U2Y	3	HCP2-1808P-A3U2Y
HCP1-1805P-B3U2Y	4	HCP2-1808P-B3U2Y
ICP1-1805N-A3U2Y	1	ICP2-1808N-A3U2Y
ICP1-1805N-B3U2Y	2	ICP2-1808N-B3U2Y
ICP1-1805P-A3U2Y	3	ICP2-1808P-A3U2Y
ICP1-1805P-B3U2Y	4	ICP2-1808P-B3U2Y
ICP1-1805P-S4U2Y	6	ICP2-1808P-S4U2Y
ICP1-1805N-S4U2Y	5	ICP2-1808N-S4U2Y

Please see Page 18 for details and
 specifications of DC 2-Wire models
 on this page.

5.0φ44x0.1
Approx.135 g

M 18	
●	○
5 mm	8 mm
PBT RESIN	
●	



10-30VDC or 5-36VDC or 10-55VDC	
<10%	
<10mA	<20mA
200mA	
<0.01mA	
-	
-	
<1.5V or <1.0V or <2.0V	
1KHZ	500HZ
0.2ms/0.2ms	0.5ms/0.5ms
<15%(Sr)	
<1.0%(Sr)	
IP67	
-25 °C - +70 °C	
<10%(Sr)	
YES	
220mA	
<10ms	
RFI>3V/m / EFT>1KV / ESD>4KV (contact)	
IEC 60947-5-2,Part 7.4.1 / IEC 60947-5-2,Part 7.4.2	
PBT	

FCP1-1805N-A3U2Z	1	FCP2-1808N-A3U2Z
FCP1-1805N-B3U2Z	2	FCP2-1808N-B3U2Z
FCP1-1805P-A3U2Z	3	FCP2-1808P-A3U2Z
FCP1-1805P-B3U2Z	4	FCP2-1808P-B3U2Z
FCP1-1805P-S4U2Z	6	FCP2-1808P-S4U2Z
FCP1-1805N-S4U2Z	5	FCP2-1808N-S4U2Z
FCP1-1805C-A2U2Z	7	FCP2-1808C-A2U2Z
FCP1-1805C-B2U2Z	8	FCP2-1808C-B2U2Z
HCP1-1805N-A3U2Z	1	HCP2-1808N-A3U2Z
HCP1-1805N-B3U2Z	2	HCP2-1808N-B3U2Z
HCP1-1805P-A3U2Z	3	HCP2-1808P-A3U2Z
HCP1-1805P-B3U2Z	4	HCP2-1808P-B3U2Z
ICP1-1805N-A3U2Z	1	ICP2-1808N-A3U2Z
ICP1-1805N-B3U2Z	2	ICP2-1808N-B3U2Z
ICP1-1805P-A3U2Z	3	ICP2-1808P-A3U2Z
ICP1-1805P-B3U2Z	4	ICP2-1808P-B3U2Z
ICP1-1805P-S4U2Z	6	ICP2-1808P-S4U2Z
ICP1-1805N-S4U2Z	5	ICP2-1808N-S4U2Z

Please see Page 18 for details and
 specifications of DC 2-Wire models
 on this page.

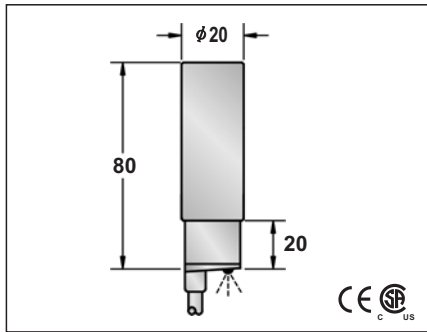
5.0φ44x0.1
Approx.135 g

Note:
 Coming Soon : Part numbers with underline

DC INDUCTIVE PLASTIC HOUSING PROXIMITY SWITCH

DC INDUCTIVE PLASTIC HOUSING PROXIMITY SWITCH

φ20
○
10 mm
PBT RESIN
●



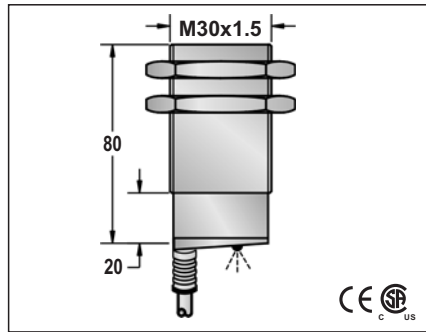
10-30VDC or 5-36VDC or 10-55VDC	
<10%	
<10mA	<20mA
200mA	
<0.01mA	
-	
<1.5V or <1.0V or <2.0V	
500HZ	
0.5ms/0.5ms	
<15%(Sr)	
<1.0%(Sr)	
IP67	
-25°C - +70°C	
<10%(Sr)	
YES	
220mA	
<10ms	
RFI>3V/m / EFT>1KV / ESD>4KV (contact)	
IEC 60947-5-2,Part 7.4.1 / IEC 60947-5-2,Part 7.4.2	
POM	

FCP2-D2010N-A3U2	1
FCP2-D2010N-B3U2	2
FCP2-D2010P-A3U2	3
FCP2-D2010P-B3U2	4
<u>FCP2-D2010P-S4U2</u>	6
<u>FCP2-D2010N-S4U2</u>	5
FCP2-D2010C-A2U2	7
FCP2-D2010C-B2U2	8
HCP2-D2010N-A3U2	1
HCP2-D2010N-B3U2	2
HCP2-D2010P-A3U2	3
<u>HCP2-D2010P-B3U2</u>	4
ICP2-D2010N-A3U2	1
ICP2-D2010N-B3U2	2
ICP2-D2010P-A3U2	3
ICP2-D2010P-B3U2	4
<u>ICP2-D2010P-S4U2</u>	6
<u>ICP2-D2010N-S4U2</u>	5

Voltage Drop: <1.5V (for Operating Volt. 10-30V)
<1V (for Operating Volt. 5-36V)
<2V (for Operating Volt. 10-55V)
This applies to all models in the category of
DC INDUCTIVE PROXIMITY SWITCH.

5.8φ 3x0.5
Approx.153 g

M 30	
●	○
10 mm	15 mm
PBT RESIN	
●	



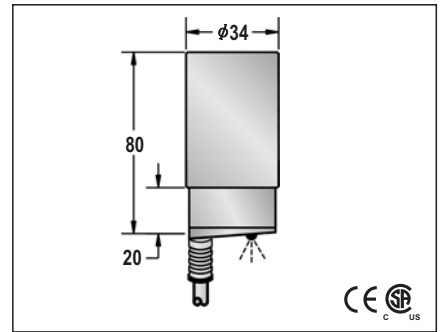
10-30VDC or 5-36VDC or 10-55VDC	
<10%	
<10mA	<20mA
200mA	
<0.01mA	
-	
<1.5V or <1.0V or <2.0V	
300HZ	
0.5ms/0.5ms	1ms/1ms
<15%(Sr)	
<1.0%(Sr)	
IP67	
-25°C - +70°C	
<10%(Sr)	
YES	
220mA	
<10ms	
RFI>3V/m / EFT>1KV / ESD>4KV (contact)	
IEC 60947-5-2,Part 7.4.1 / IEC 60947-5-2,Part 7.4.2	
PBT	

FCP1-3010N-A3U2	1	FCP2-3015N-A3U2
FCP1-3010N-B3U2	2	FCP2-3015N-B3U2
FCP1-3010P-A3U2	3	FCP2-3015P-A3U2
FCP1-3010P-B3U2	4	FCP2-3015P-B3U2
FCP1-3010P-S4U2	6	FCP2-3015P-S4U2
FCP1-3010N-S4U2	5	FCP2-3015N-S4U2
FCP1-3010C-A2U2	7	FCP2-3015C-A2U2
<u>FCP1-3010C-B2U2</u>	8	<u>FCP2-3015C-B2U2</u>
HCP1-3010N-A3U2	1	HCP2-3015N-A3U2
HCP1-3010N-B3U2	2	<u>HCP2-3015N-B3U2</u>
HCP1-3010P-A3U2	3	HCP2-3015P-A3U2
<u>HCP1-3010P-B3U2</u>	4	<u>HCP2-3015P-B3U2</u>
ICP1-3010N-A3U2	1	ICP2-3015N-A3U2
ICP1-3010N-B3U2	2	ICP2-3015N-B3U2
ICP1-3010P-A3U2	3	ICP2-3015P-A3U2
ICP1-3010P-B3U2	4	ICP2-3015P-B3U2
<u>ICP1-3010P-S4U2</u>	6	<u>ICP2-3015P-S4U2</u>
<u>ICP1-3010N-S4U2</u>	5	<u>ICP2-3015N-S4U2</u>

Please see Page 18 for details and
specifications of DC 2-Wire models
on this page.

5.8φ 3x0.5
Approx.200 g

φ34
○
20 mm
PBT RESIN
●



10-30VDC or 5-36VDC or 10-55VDC	
<10%	
<10mA	<20mA
200mA	
<0.01mA	
-	
<1.5V or <1.0V or <2.0V	
150HZ	
1ms/1ms	
<15%(Sr)	
<1.0%(Sr)	
IP67	
-25°C - +70°C	
<10%(Sr)	
YES	
220mA	
<10ms	
RFI>3V/m / EFT>1KV / ESD>4KV (contact)	
IEC 60947-5-2,Part 7.4.1 / IEC 60947-5-2,Part 7.4.2	
PBT	

FCP2-D3420N-A3U2	1
FCP2-D3420N-B3U2	2
FCP2-D3420P-A3U2	3
FCP2-D3420P-B3U2	4
<u>FCP2-D3420P-S4U2</u>	6
<u>FCP2-D3420N-S4U2</u>	5
FCP2-D3420C-A2U2	7
FCP2-D3420C-B2U2	8
HCP2-D3420N-A3U2	1
HCP2-D3420N-B3U2	2
HCP2-D3420P-A3U2	3
<u>HCP2-D3420P-B3U2</u>	4
ICP2-D3420N-A3U2	1
ICP2-D3420N-B3U2	2
ICP2-D3420P-A3U2	3
ICP2-D3420P-B3U2	4
<u>ICP2-D3420P-S4U2</u>	6
<u>ICP2-D3420N-S4U2</u>	5

5.8φ 3x0.5
Approx.259 g

Note:
Coming Soon : Part numbers with underline

M12、M18、M30

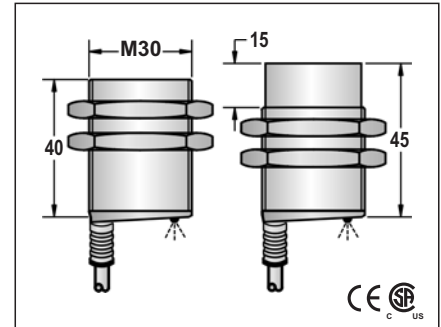
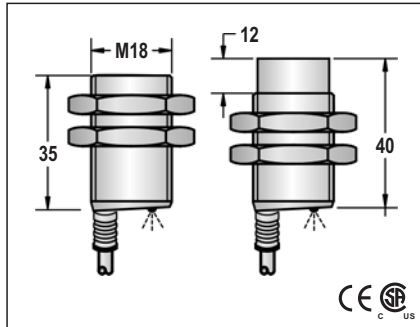
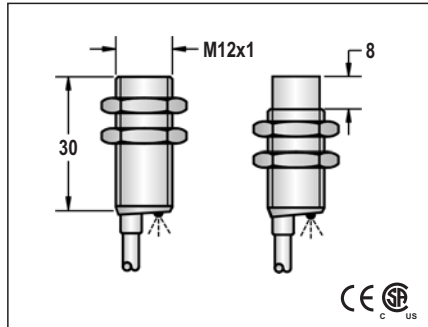
INDUCTIVE PLASTIC HOUSING SHORT FORM PROXIMITY SWITCH

DC INDUCTIVE PLASTIC HOUSING SHORT FORM PROXIMITY SWITCH

M 12	
2 mm	4 mm
PBT RESIN	

M 18	
5 mm	8 mm
PBT RESIN	

M 30	
10 mm	15 mm
PBT RESIN	



10-30VDC	
<10%	
<10mA	
200mA	
<0.01mA	
-	
<1.5V	
1KHZ	500HZ
0.2ms/0.2ms	0.5ms/0.5ms
<15%(Sr)	
<1.0%(Sr)	
IP67	
-25 °C - +70 °C	
<10%(Sr)	
YES	
220mA	
<10ms	
RFI>3V/m / EFT>1KV / ESD>4KV (contact)	
IEC 60947-5-2,Part 7.4.1 / IEC 60947-5-2,Part 7.4.2	
POM	PBT

10-30VDC or 5-36VDC or 10-55VDC		
<10%		
<10mA	<20mA	
200mA		
<0.01mA		
-		
<1.5V or <1.0V or <2.0V		
1KHZ	500HZ	
0.2ms/0.2ms	0.5ms/0.5ms	
<15%(Sr)		
<1.0%(Sr)		
IP67		
-25 °C - +70 °C		
<10%(Sr)		
YES		
220mA		
<10ms		
RFI>3V/m / EFT>1KV / ESD>4KV (contact)		
IEC 60947-5-2,Part 7.4.1 / IEC 60947-5-2,Part 7.4.2		
PBT		

10-30VDC or 5-36VDC or 10-55VDC		
<10%		
<10mA	<20mA	
200mA		
<0.01mA		
-		
<1.5V or <1.0V or <2.0V		
300HZ	150HZ	
0.5ms/0.5ms	1ms/1ms	
<15%(Sr)		
<1.0%(Sr)		
IP67		
-25 °C - +70 °C		
<10%(Sr)		
YES		
220mA		
<10ms		
RFI>3V/m / EFT>1KV / ESD>4KV (contact)		
IEC 60947-5-2,Part 7.4.1 / IEC 60947-5-2,Part 7.4.2		
PBT		

FCP1-1202N-A3S2	1	FCP2-1204N-A3S2
FCP1-1202N-B3S2	2	FCP2-1204N-B3S2
FCP1-1202P-A3S2	3	FCP2-1204P-A3S2
FCP1-1202P-B3S2	4	FCP2-1204P-B3S2

FCP1-1805N-A3S2	1	FCP2-1808N-A3S2
FCP1-1805N-B3S2	2	FCP2-1808N-B3S2
FCP1-1805P-A3S2	3	FCP2-1808P-A3S2
FCP1-1805P-B3S2	4	FCP2-1808P-B3S2
FCP1-1805P-S4S2	6	FCP2-1808P-S4S2
FCP1-1805N-S4S2	5	FCP2-1808N-S4S2
FCP1-1805C-A2S2	7	FCP2-1808C-A2S2
<u>FCP1-1805C-B2S2</u>	8	<u>FCP2-1808C-B2S2</u>
HCP1-1805N-A3S2	1	HCP2-1808N-A3S2
<u>HCP1-1805N-B3S2</u>	2	<u>HCP2-1808N-B3S2</u>
HCP1-1805P-A3S2	3	HCP2-1808P-A3S2
<u>HCP1-1805P-B3S2</u>	4	<u>HCP2-1808P-B3S2</u>
ICP1-1805N-A3S2	1	ICP2-1808N-A3S2
ICP1-1805N-B3S2	2	ICP2-1808N-B3S2
ICP1-1805P-A3S2	3	ICP2-1808P-A3S2
ICP1-1805P-B3S2	4	ICP2-1808P-B3S2
<u>ICP1-1805P-S4S2</u>	6	<u>ICP2-1808P-S4S2</u>
<u>ICP1-1805N-S4S2</u>	5	<u>ICP2-1808N-S4S2</u>

FCP1-3010N-A3S2	1	FCP2-3015N-A3S2
FCP1-3010N-B3S2	2	FCP2-3015N-B3S2
FCP1-3010P-A3S2	3	FCP2-3015P-A3S2
FCP1-3010P-B3S2	4	FCP2-3015P-B3S2
FCP1-3010P-S4S2	6	FCP2-3015P-S4S2
FCP1-3010N-S4S2	5	FCP2-3015N-S4S2
FCP1-3010C-A2S2	7	FCP2-3015C-A2S2
<u>FCP1-3010C-B2S2</u>	8	<u>FCP2-3015C-B2S2</u>
HCP1-3010N-A3S2	1	HCP2-3015N-A3S2
<u>HCP1-3010N-B3S2</u>	2	<u>HCP2-3015N-B3S2</u>
HCP1-3010P-A3S2	3	HCP2-3015P-A3S2
<u>HCP1-3010P-B3S2</u>	4	<u>HCP2-3015P-B3S2</u>
ICP1-3010N-A3S2	1	ICP2-3015N-A3S2
ICP1-3010N-B3S2	2	ICP2-3015N-B3S2
ICP1-3010P-A3S2	3	ICP2-3015P-A3S2
ICP1-3010P-B3S2	4	ICP2-3015P-B3S2
<u>ICP1-3010P-S4S2</u>	6	<u>ICP2-3015P-S4S2</u>
<u>ICP1-3010N-S4S2</u>	5	<u>ICP2-3015N-S4S2</u>

Voltage Drop: <1.5V (for Operating Volt. 10-30V)
<1V (for Operating Volt. 5-36V)
<2V (for Operating Volt. 10-55V)
This applies to all models in the category of
DC INDUCTIVE PROXIMITY SWITCH.

Please see Page 18 for details and
specifications of DC 2-Wire models
on this page.

4φ 3x0.15
Approx.56 g

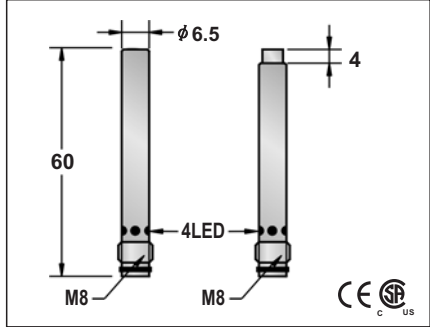
5.0φ 44x0.1
Approx.130 g

5.8φ 3x0.5	
Approx.168 g	Approx.172 g

Note:
Coming Soon : Part numbers with underline

DC INDUCTIVE PROXIMITY SWITCH CONNECTOR TYPE

φ 6.5	
●	○
1mm, 1.5mm	2mm, 2.5mm
stainless steel only	
●	

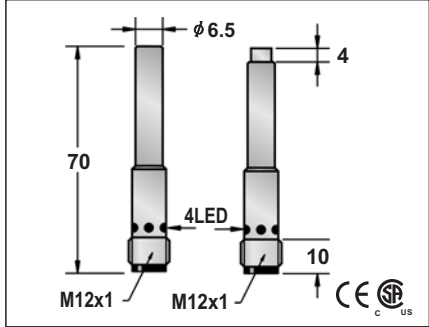


10-30VDC or 5-36VDC	
<10%	
<10mA	
200mA	
<0.01mA	
-	
<1.5V(10-30V) or <1.0V(5-36V)	
2KHZ	
0.1ms/0.1ms	
<15%(Sr)	
<1.0%(Sr)	
IP67	
-25 °C - +70 °C	
<10%(Sr)	
YES	
220mA	
<10ms	
RFI>3V/m / EFT>1KV / ESD>4KV (contact)	
IEC 60947-5-2, Part 7.4.1 / IEC 60947-5-2, Part 7.4.2	
POM	

FCU1-D0601N-ACU3	29	FCU2-D0602N-ACU3
FCU1-D0601N-BCU3	29	FCU2-D0602N-BCU3
FCU1-D0601P-ACU3	30	FCU2-D0602P-ACU3
FCU1-D0601P-BCU3	30	FCU2-D0602P-BCU3
FCU1-D0601P-SCU4	32	FCU2-D0602P-SCU4
FCU1-D0601N-SCU4	31	FCU2-D0602N-SCU4
FCU1-D0601C-ACU3	39	FCU2-D0602C-ACU3
FCU1-D0601C-BCU3	77	FCU2-D0602C-BCU3
ICU1-D061.5N-ACU3	29	ICU2-D062.5N-ACU3
ICU1-D061.5N-BCU3	29	ICU2-D062.5N-BCU3
ICU1-D061.5P-ACU3	30	ICU2-D062.5P-ACU3
ICU1-D061.5P-BCU3	30	ICU2-D062.5P-BCU3
ICU1-D061.5P-SCU4	32	ICU2-D062.5P-SCU4
ICU1-D061.5N-SCU4	31	ICU2-D062.5N-SCU4

5-36V: ICU*.***** type switching distance Sn=1.5mm (shielded), Sn=2.5mm (non-shielded).	
Approx.17 g	Approx.16 g

φ 6.5	
●	○
1mm, 1.5mm	2mm, 2.5mm
stainless steel only	
●	

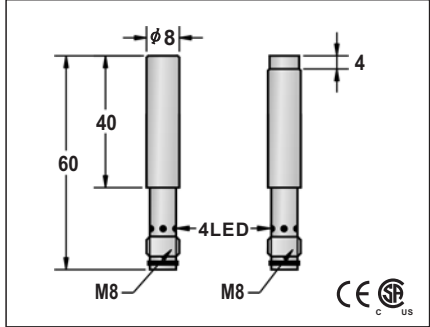


10-30VDC or 5-36VDC	
<10%	
<10mA	
200mA	
<0.01mA	
-	
<1.5V(10-30V) or <1.0V(5-36V)	
2KHZ	
0.1ms/0.1ms	
<15%(Sr)	
<1.0%(Sr)	
IP67	
-25 °C - +70 °C	
<10%(Sr)	
YES	
220mA	
<10ms	
RFI>3V/m / EFT>1KV / ESD>4KV (contact)	
IEC 60947-5-2, Part 7.4.1 / IEC 60947-5-2, Part 7.4.2	
POM	

FCU1-D0601N-ARU4	33	FCU2-D0602N-ARU4
FCU1-D0601N-BRU4	34	FCU2-D0602N-BRU4
FCU1-D0601P-ARU4	35	FCU2-D0602P-ARU4
FCU1-D0601P-BRU4	36	FCU2-D0602P-BRU4
FCU1-D0601P-SRU4	38	FCU2-D0602P-SRU4
FCU1-D0601N-SRU4	37	FCU2-D0602N-SRU4
FCU1-D0601C-ARU4	40	FCU2-D0602C-ARU4
FCU1-D0601C-BRU4	78	FCU2-D0602C-BRU4
ICU1-D061.5N-ARU4	33	ICU2-D062.5N-ARU4
ICU1-D061.5N-BRU4	34	ICU2-D062.5N-BRU4
ICU1-D061.5P-ARU4	35	ICU2-D062.5P-ARU4
ICU1-D061.5P-BRU4	36	ICU2-D062.5P-BRU4
ICU1-D061.5P-SRU4	38	ICU2-D062.5P-SRU4
ICU1-D061.5N-SRU4	37	ICU2-D062.5N-SRU4

1. 5-36V: ICU*.***** type switching distance Sn=1.5mm (shielded), Sn=2.5mm (non-shielded). 2. Please see Page 18 for details and specifications of DC 2-Wire models on this page.	
approx.25 g	

φ 8	
●	○
1mm, 1.5mm	2mm, 2.5mm
stainless steel only	
●	



10-30VDC or 5-36VDC	
<10%	
<10mA	
200mA	
<0.01mA	
-	
<1.5V(10-30V) or <1.0V(5-36V)	
2KHZ	
0.1ms/0.1ms	
<15%(Sr)	
<1.0%(Sr)	
IP67	
-25 °C - +70 °C	
<10%(Sr)	
YES	
220mA	
<10ms	
RFI>3V/m / EFT>1KV / ESD>4KV (contact)	
IEC 60947-5-2, Part 7.4.1 / IEC 60947-5-2, Part 7.4.2	
POM	

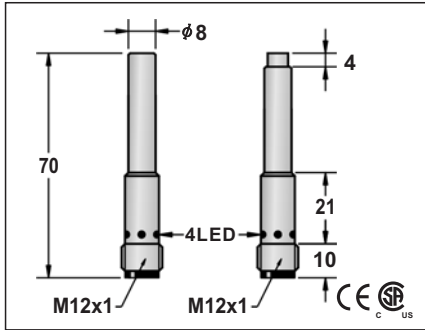
FCU1-D0801N-ACU3	29	FCU2-D0802N-ACU3
FCU1-D0801N-BCU3	29	FCU2-D0802N-BCU3
FCU1-D0801P-ACU3	30	FCU2-D0802P-ACU3
FCU1-D0801P-BCU3	30	FCU2-D0802P-BCU3
FCU1-D0801P-SCU4	32	FCU2-D0802P-SCU4
FCU1-D0801N-SCU4	31	FCU2-D0802N-SCU4
FCU1-D0801C-ACU3	39	FCU2-D0802C-ACU3
FCU1-D0801C-BCU3	77	FCU2-D0802C-BCU3
ICU1-D081.5N-ACU3	29	ICU2-D082.5N-ACU3
ICU1-D081.5N-BCU3	29	ICU2-D082.5N-BCU3
ICU1-D081.5P-ACU3	30	ICU2-D082.5P-ACU3
ICU1-D081.5P-BCU3	30	ICU2-D082.5P-BCU3
ICU1-D081.5P-SCU4	32	ICU2-D082.5P-SCU4
ICU1-D081.5N-SCU4	31	ICU2-D082.5N-SCU4

5-36V: ICU*.***** type switching distance Sn=1.5mm (shielded), Sn=2.5mm (non-shielded).	
Approx.15 g	

Note:
Coming Soon : Part numbers with underline

DC INDUCTIVE PROXIMITY SWITCH CONNECTOR TYPE

φ8	
●	○
1mm, 1.5mm	2mm, 2.5mm
stainless steel or niated brass	
●	



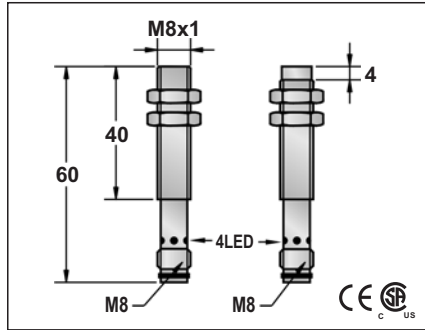
10-30VDC or 5-36VDC	
<10%	
<10mA	
200mA	
<0.01mA	
-	
<1.5V(10-30V) or <1.0V(5-36V)	
2KHZ	
0.1ms/0.1ms	
<15%(Sr)	
<1.0%(Sr)	
IP67	
-25 °C - +70 °C	
<10%(Sr)	
YES	
220mA	
<10ms	
RFI>3V/m / EFT>1KV / ESD>4KV (contact)	
IEC 60947-5-2, Part 7.4.1 / IEC 60947-5-2, Part 7.4.2	
POM	

FCM1-D0801N-ARU4	33	FCM2-D0802N-ARU4
FCM1-D0801N-BRU4	34	FCM2-D0802N-BRU4
FCM1-D0801P-ARU4	35	FCM2-D0802P-ARU4
FCM1-D0801P-BRU4	36	FCM2-D0802P-BRU4
FCM1-D0801P-SRU4	38	FCM2-D0802P-SRU4
FCM1-D0801N-SRU4	37	FCM2-D0802N-SRU4
FCM1-D0801C-ARU4	40	FCM2-D0802C-ARU4
FCM1-D0801C-BRU4	78	FCM2-D0802C-BRU4
ICM1-D081.5N-ARU4	33	ICM2-D082.5N-ARU4
ICM1-D081.5N-BRU4	34	ICM2-D082.5N-BRU4
ICM1-D081.5P-ARU4	35	ICM2-D082.5P-ARU4
ICM1-D081.5P-BRU4	36	ICM2-D082.5P-BRU4
ICM1-D081.5P-SRU4	38	ICM2-D082.5P-SRU4
ICM1-D081.5N-SRU4	37	ICM2-D082.5N-SRU4

5-36V: switching distance Sn=1.5mm (shielded), Sn=2.5mm (non-shielded).

Approx.28 g

M 8	
●	○
1mm, 1.5mm	2mm, 2.5mm
stainless steel only	
●	



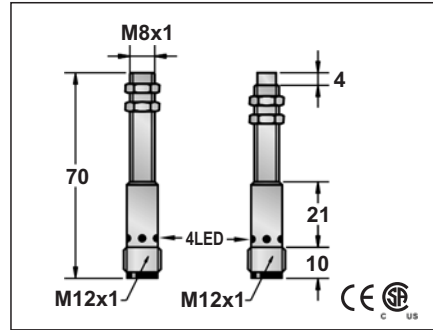
10-30VDC or 5-36VDC	
<10%	
<10mA	
200mA	
<0.01mA	
-	
<1.5V(10-30V) or <1.0V(5-36V)	
2KHZ	
0.1ms/0.1ms	
<15%(Sr)	
<1.0%(Sr)	
IP67	
-25 °C - +70 °C	
<10%(Sr)	
YES	
220mA	
<10ms	
RFI>3V/m / EFT>1KV / ESD>4KV (contact)	
IEC 60947-5-2, Part 7.4.1 / IEC 60947-5-2, Part 7.4.2	
POM	

FCU1-0801N-ACU3	29	FCU2-0802N-ACU3
FCU1-0801N-BCU3	29	FCU2-0802N-BCU3
FCU1-0801P-ACU3	30	FCU2-0802P-ACU3
FCU1-0801P-BCU3	30	FCU2-0802P-BCU3
FCU1-0801P-SCU4	32	FCU2-0802P-SCU4
FCU1-0801N-SCU4	31	FCU2-0802N-SCU4
FCU1-0801C-ACU3	39	FCU2-0802C-ACU3
FCU1-0801C-BCU3	77	FCU2-0802C-BCU3
ICU1-081.5N-ACU3	29	ICU2-082.5N-ACU3
ICU1-081.5N-BCU3	29	ICU2-082.5N-BCU3
ICU1-081.5P-ACU3	30	ICU2-082.5P-ACU3
ICU1-081.5P-BCU3	30	ICU2-082.5P-BCU3
ICU1-081.5P-SCU4	32	ICU2-082.5P-SCU4
ICU1-081.5N-SCU4	31	ICU2-082.5N-SCU4

1. 5-36V: switching distance Sn=1.5mm (shielded), Sn=2.5mm (non-shielded).
 2. Please see Page 18 for details and specifications of DC 2-Wire models on this page.

Approx.15 g

M 8	
●	○
1mm, 1.5mm	2mm, 2.5mm
stainless steel or nickel plated brass	
●	



10-30VDC or 5-36VDC	
<10%	
<10mA	
200mA	
<0.01mA	
-	
<1.5V(10-30V) or <1.0V(5-36V)	
2KHZ	
0.1ms/0.1ms	
<15%(Sr)	
<1.0%(Sr)	
IP67	
-25 °C - +70 °C	
<10%(Sr)	
YES	
220mA	
<10ms	
RFI>3V/m / EFT>1KV / ESD>4KV (contact)	
IEC 60947-5-2, Part 7.4.1 / IEC 60947-5-2, Part 7.4.2	
POM	

FCM1-0801N-ARU4	33	FCM2-0802N-ARU4
FCM1-0801N-BRU4	34	FCM2-0802N-BRU4
FCM1-0801P-ARU4	35	FCM2-0802P-ARU4
FCM1-0801P-BRU4	36	FCM2-0802P-BRU4
FCM1-0801P-SRU4	38	FCM2-0802P-SRU4
FCM1-0801N-SRU4	37	FCM2-0802N-SRU4
FCM1-0801C-ARU4	40	FCM2-0802C-ARU4
FCM1-0801C-BRU4	78	FCM2-0802C-BRU4
ICM1-081.5N-ARU4	33	ICM2-082.5N-ARU4
ICM1-081.5N-BRU4	34	ICM2-082.5N-BRU4
ICM1-081.5P-ARU4	35	ICM2-082.5P-ARU4
ICM1-081.5P-BRU4	36	ICM2-082.5P-BRU4
ICM1-081.5P-SRU4	38	ICM2-082.5P-SRU4
ICM1-081.5N-SRU4	37	ICM2-082.5N-SRU4

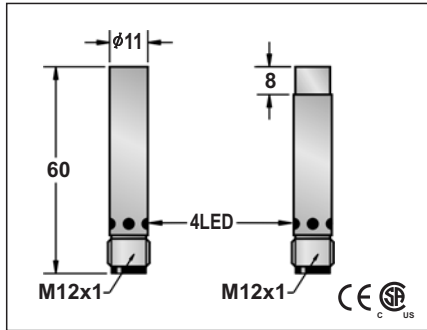
5-36V: switching distance Sn=1.5mm (shielded), Sn=2.5mm (non-shielded).

Approx.22 g

Note:
Coming Soon : Part numbers with underline

DC INDUCTIVE PROXIMITY SWITCH CONNECTOR TYPE

φ11	
●	○
2 mm	4 mm
stainless steel or nickel plated brass	
●	

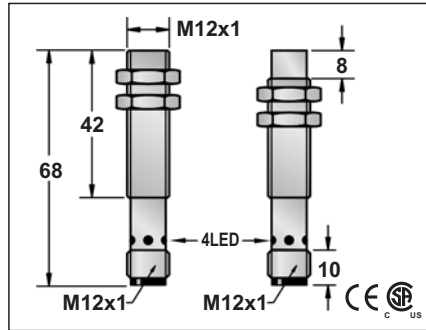


10-30VDC or 5-36VDC or 10-55VDC	
<10%	
<10mA	<20mA
200mA	
<0.01mA	
-	
-	
<1.5V or <1.0V or <2.0V	
2KHZ	1KHZ
0.1ms/0.1ms	0.2ms/0.2ms
<15%(Sr)	
<1.0%(Sr)	
IP67	
-25 °C - +70 °C	
<10%(Sr)	
YES	
220mA	
<10ms	
RFI>3V/m / EFT>1KV / ESD>4KV (contact)	
IEC 60947-5-2,Part 7.4.1 / IEC 60947-5-2,Part 7.4.2	
POM	

FCM1-D1102N-ARU4	33	FCM2-D1104N-ARU4
FCM1-D1102N-BRU4	34	FCM2-D1104N-BRU4
FCM1-D1102P-ARU4	35	FCM2-D1104P-ARU4
FCM1-D1102P-BRU4	36	FCM2-D1104P-BRU4
FCM1-D1102P-SRU4	38	FCM2-D1104P-SRU4
FCM1-D1102N-SRU4	37	FCM2-D1104N-SRU4
FCM1-D1102C-ARU4	40	FCM2-D1104C-ARU4
FCM1-D1102C-BRU4	78	FCM2-D1104C-BRU4
HCM1-D1102N-ARU4	33	HCM2-D1104N-ARU4
HCM1-D1102N-BRU4	34	HCM2-D1104N-BRU4
HCM1-D1102P-ARU4	35	HCM2-D1104P-ARU4
HCM1-D1102P-BRU4	36	HCM2-D1104P-BRU4
ICM1-D1102N-ARU4	33	ICM2-D1104N-ARU4
ICM1-D1102N-BRU4	34	ICM2-D1104N-BRU4
ICM1-D1102P-ARU4	35	ICM2-D1104P-ARU4
ICM1-D1102P-BRU4	36	ICM2-D1104P-BRU4
ICM1-D1102P-SRU4	38	ICM2-D1104P-SRU4
ICM1-D1102N-SRU4	37	ICM2-D1104N-SRU4

Approx.30 g		Approx.29 g	
-------------	--	-------------	--

M 12	
●	○
2 mm	4 mm
stainless steel or nickel plated brass	
●	



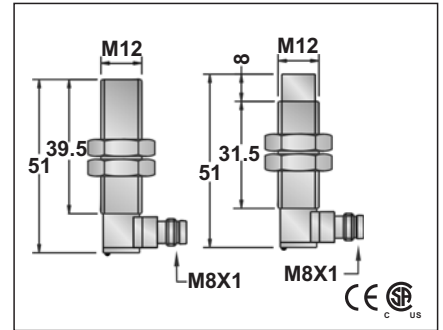
10-30VDC or 5-36VDC or 10-55VDC	
<10%	
<10mA	<20mA
200mA	
<0.01mA	
-	
-	
<1.5V or <1.0V or <2.0V	
2KHZ	1KHZ
0.1ms/0.1ms	0.2ms/0.2ms
<15%(Sr)	
<1.0%(Sr)	
IP67	
-25 °C - +70 °C	
<10%(Sr)	
YES	
220mA	
<10ms	
RFI>3V/m / EFT>1KV / ESD>4KV (contact)	
IEC 60947-5-2,Part 7.4.1 / IEC 60947-5-2,Part 7.4.2	
POM	

FCM1-1202N-ARU4	33	FCM2-1204N-ARU4
FCM1-1202N-BRU4	34	FCM2-1204N-BRU4
FCM1-1202P-ARU4	35	FCM2-1204P-ARU4
FCM1-1202P-BRU4	36	FCM2-1204P-BRU4
FCM1-1202P-SRU4	38	FCM2-1204P-SRU4
FCM1-1202N-SRU4	37	FCM2-1204N-SRU4
FCM1-1202C-ARU4	40	FCM2-1204C-ARU4
FCM1-1202C-BRU4	78	FCM2-1204C-BRU4
HCM1-1202N-ARU4	33	HCM2-1204N-ARU4
HCM1-1202N-BRU4	34	HCM2-1204N-BRU4
HCM1-1202P-ARU4	35	HCM2-1204P-ARU4
HCM1-1202P-BRU4	36	HCM2-1204P-BRU4
ICM1-1202N-ARU4	33	ICM2-1204N-ARU4
ICM1-1202N-BRU4	34	ICM2-1204N-BRU4
ICM1-1202P-ARU4	35	ICM2-1204P-ARU4
ICM1-1202P-BRU4	36	ICM2-1204P-BRU4
ICM1-1202P-SRU4	38	ICM2-1204P-SRU4
ICM1-1202N-SRU4	37	ICM2-1204N-SRU4

Approx.31 g		Approx.30 g	
-------------	--	-------------	--

Please see Page 18 for details and specifications of DC 2-Wire models on this page.

M 12	
●	○
2 mm	4 mm
stainless steel or nickel plated brass	
●	



10-30VDC or 5-36VDC or 10-55VDC	
<10%	
<10mA	<20mA
200mA	
<0.01mA	
-	
-	
<1.5V or <1.0V or <2.0V	
2KHZ	1KHZ
0.1ms/0.1ms	0.2ms/0.2ms
<15%(Sr)	
<1.0%(Sr)	
IP67	
-25 °C - +70 °C	
<10%(Sr)	
YES	
220mA	
<10ms	
RFI>3V/m / EFT>1KV / ESD>4KV (contact)	
IEC 60947-5-2,Part 7.4.1 / IEC 60947-5-2,Part 7.4.2	
POM	

FCM1-1202N-ACU3Y	33	FCM2-1204N-ACU3Y
FCM1-1202N-BCU3Y	34	FCM2-1204N-BCU3Y
FCM1-1202P-ACU3Y	35	FCM2-1204P-ACU3Y
FCM1-1202P-BCU3Y	36	FCM2-1204P-BCU3Y
FCM1-1202P-SCU4Y	38	FCM2-1204P-SCU4Y
FCM1-1202N-SCU4Y	37	FCM2-1204N-SCU4Y
FCM1-1202C-ACU3Y	40	FCM2-1204C-ACU3Y
FCM1-1202C-BCU3Y	78	FCM2-1204C-BCU3Y
HCM1-1202N-ACU3Y	33	HCM2-1204N-ACU3Y
HCM1-1202N-BCU3Y	34	HCM2-1204N-BCU3Y
HCM1-1202P-ACU3Y	35	HCM2-1204P-ACU3Y
HCM1-1202P-BCU3Y	36	HCM2-1204P-BCU3Y
ICM1-1202N-ACU3Y	33	ICM2-1204N-ACU3Y
ICM1-1202N-BCU3Y	34	ICM2-1204N-BCU3Y
ICM1-1202P-ACU3Y	35	ICM2-1204P-ACU3Y
ICM1-1202P-BCU3Y	36	ICM2-1204P-BCU3Y
ICM1-1202P-SCU4Y	38	ICM2-1204P-SCU4Y
ICM1-1202N-SCU4Y	37	ICM2-1204N-SCU4Y

Approx.31 g		Approx.30 g	
-------------	--	-------------	--

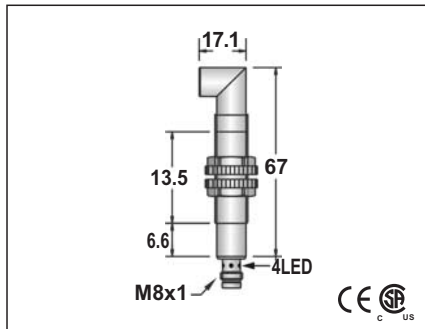
1. Voltage drop:<1.5V(10-30V),<1V(5-36V), <2V(10-55V).
2. 10-55V type: No Load Current < 20mA.

M12、M18

DC INDUCTIVE PROXIMITY SWITCH CONNECTOR TYPE

DC INDUCTIVE PROXIMITY SWITCH CONNECTOR TYPE

M 12	
●	○
2 mm	4 mm
stainless steel or nickel plated brass	
●	

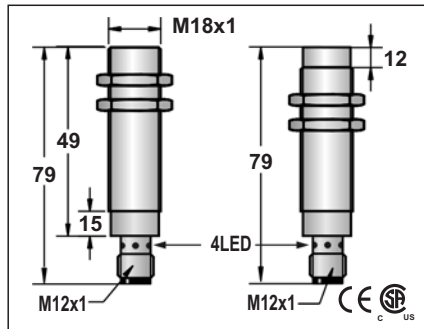


10-30VDC or 5-36VDC or 10-55VDC	
<10%	
<10mA	<20mA
200mA	
<0.01mA	
-	
<1.5V or <1.0V or <2.0V	
2KHZ	1KHZ
0.1ms/0.1ms	0.2ms/0.2ms
<15%(Sr)	
<1.0%(Sr)	
IP67	
-25 °C - +70 °C	
<10%(Sr)	
YES	
220mA	
<10ms	
RFI>3V/m / EFT>1KV / ESD>4KV (contact)	
IEC 60947-5-2, Part 7.4.1 / IEC 60947-5-2, Part 7.4.2	
POM	

FCM1-1202N-ACU3Z	33	FCM2-1204N-ACU3Z
FCM1-1202N-BCU3Z	34	FCM2-1204N-BCU3Z
FCM1-1202P-ACU3Z	35	FCM2-1204P-ACU3Z
FCM1-1202P-BCU3Z	36	FCM2-1204P-BCU3Z
FCM1-1202P-SCU4Z	38	FCM2-1204P-SCU4Z
FCM1-1202N-SCU4Z	37	FCM2-1204N-SCU4Z
FCM1-1202C-ACU3Z	40	FCM2-1204C-ACU3Z
FCM1-1202C-BCU3Z	78	FCM2-1204C-BCU3Z
HCM1-1202N-ACU3Z	33	HCM2-1204N-ACU3Z
HCM1-1202N-BCU3Z	34	HCM2-1204N-BCU3Z
HCM1-1202P-ACU3Z	35	HCM2-1204P-ACU3Z
HCM1-1202P-BCU3Z	36	HCM2-1204P-BCU3Z
ICM1-1202N-ACU3Z	33	ICM2-1204N-ACU3Z
ICM1-1202N-BCU3Z	34	ICM2-1204N-BCU3Z
ICM1-1202P-ACU3Z	35	ICM2-1204P-ACU3Z
ICM1-1202P-BCU3Z	36	ICM2-1204P-BCU3Z
ICM1-1202P-SCU4Z	38	ICM2-1204P-SCU4Z
ICM1-1202N-SCU4Z	37	ICM2-1204N-SCU4Z

Approx.31 g		Approx.30 g	
-------------	--	-------------	--

M 18	
●	○
5 mm	8 mm
stainless steel or nickel plated brass	
●	

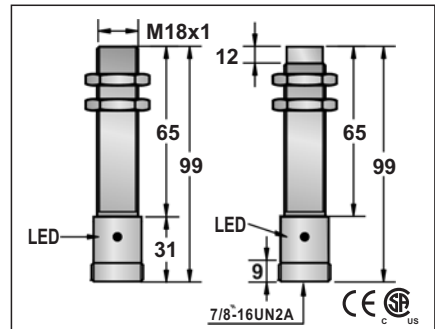


10-30VDC or 5-36VDC or 10-55VDC	
<10%	
<10mA	<20mA
200mA	
<0.01mA	
-	
<1.5V or <1.0V or <2.0V	
1KHZ	500HZ
0.2ms/0.2ms	0.5ms/0.5ms
<15%(Sr)	
<1.0%(Sr)	
IP67	
-25 °C - +70 °C	
<10%(Sr)	
YES	
220mA	
<10ms	
RFI>3V/m / EFT>1KV / ESD>4KV (contact)	
IEC 60947-5-2, Part 7.4.1 / IEC 60947-5-2, Part 7.4.2	
PBT	

FCM1-1805N-ARU4	33	FCM2-1808N-ARU4
FCM1-1805N-BRU4	34	FCM2-1808N-BRU4
FCM1-1805P-ARU4	35	FCM2-1808P-ARU4
FCM1-1805P-BRU4	36	FCM2-1808P-BRU4
FCM1-1805P-SRU4	38	FCM2-1808P-SRU4
FCM1-1805N-SRU4	37	FCM2-1808N-SRU4
FCM1-1805C-ARU4	40	FCM2-1808C-ARU4
FCM1-1805C-BRU4	78	FCM2-1808C-BRU4
HCM1-1805N-ARU4	33	HCM2-1808N-ARU4
HCM1-1805N-BRU4	34	HCM2-1808N-BRU4
HCM1-1805P-ARU4	35	HCM2-1808P-ARU4
HCM1-1805P-BRU4	36	HCM2-1808P-BRU4
ICM1-1805N-ARU4	33	ICM2-1808N-ARU4
ICM1-1805N-BRU4	34	ICM2-1808N-BRU4
ICM1-1805P-ARU4	35	ICM2-1808P-ARU4
ICM1-1805P-BRU4	36	ICM2-1808P-BRU4
ICM1-1805P-SRU4	38	ICM2-1808P-SRU4
ICM1-1805N-SRU4	37	ICM2-1808N-SRU4

Approx.94 g		Approx.91 g	
-------------	--	-------------	--

M 18	
●	○
5 mm	8 mm
stainless steel or nickel plated brass	
●	



10-30VDC or 5-36VDC or 10-55VDC	
<10%	
<10mA	<20mA
200mA	
<0.01mA	
-	
<1.5V or <1.0V or <2.0V	
1KHZ	500HZ
0.2ms/0.2ms	0.5ms/0.5ms
<15%(Sr)	
<1.0%(Sr)	
IP67	
-25 °C - +70 °C	
<10%(Sr)	
YES	
220mA	
<10ms	
RFI>3V/m / EFT>1KV / ESD>4KV (contact)	
IEC 60947-5-2, Part 7.4.1 / IEC 60947-5-2, Part 7.4.2	
PBT	

FCM1-1805N-AZU4	41	FCM2-1808N-AZU4
FCM1-1805N-BZU4	42	FCM2-1808N-BZU4
FCM1-1805P-AZU4	43	FCM2-1808P-AZU4
FCM1-1805P-BZU4	44	FCM2-1808P-BZU4
FCM1-1805P-SZU4	46	FCM2-1808P-SZU4
FCM1-1805N-SZU4	45	FCM2-1808N-SZU4
FCM1-1805C-AZU4	47	FCM2-1808C-AZU4
FCM1-1805C-BZU4	79	FCM2-1808C-BZU4
HCM1-1805N-AZU4	41	HCM2-1808N-AZU4
HCM1-1805N-BZU4	42	HCM2-1808N-BZU4
HCM1-1805P-AZU4	43	HCM2-1808P-AZU4
HCM1-1805P-BZU4	44	HCM2-1808P-BZU4
ICM1-1805N-AZU4	31	ICM2-1808N-AZU4
ICM1-1805N-BZU4	32	ICM2-1808N-BZU4
ICM1-1805P-AZU4	43	ICM2-1808P-AZU4
ICM1-1805P-BZU4	44	ICM2-1808P-BZU4
ICM1-1805P-SZU4	46	ICM2-1808P-SZU4
ICM1-1805N-SZU4	45	ICM2-1808N-SZU4

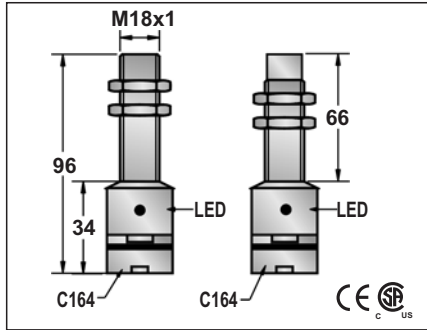
Approx.94 g		Approx.91 g	
-------------	--	-------------	--

Please see Page 18 for details and specifications of DC 2-Wire models on this page.

1. Voltage Drop:<1.5V(10-30V),<1V(5-36V), <2V(10-55V).
2. 10-55V type: No Load Current < 20mA.

DC INDUCTIVE PROXIMITY SWITCH CONNECTOR TYPE

M 18	
●	○
5 mm	8 mm
stainless steel or nickel plated brass	
●	



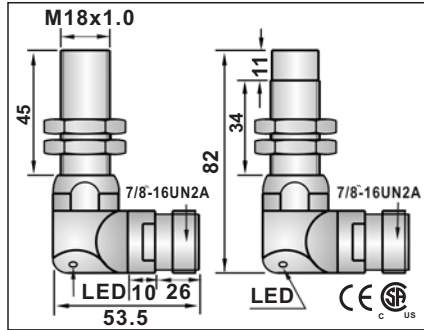
10-30VDC or 5-36VDC or 10-55VDC	
<10%	
<10mA	<20mA
200mA	
<0.01mA	
-	
-	
<1.5V or <1.0V or <2.0V	
1KHZ	500HZ
0.2ms/0.2ms	0.5ms/0.5ms
<15%(Sr)	
<1.0%(Sr)	
IP67	
-25 °C - +70 °C	
<10%(Sr)	
YES	
220mA	
<10ms	
RFI>3V/m / EFT>1KV / ESD>4KV (contact)	
IEC 60947-5-2,Part 7.4.1 / IEC 60947-5-2,Part 7.4.2	
PBT	

FCM1-1805N-AYU5	49	FCM2-1808N-AYU5
FCM1-1805N-BYU5	50	FCM2-1808N-BYU5
FCM1-1805P-AYU5	51	FCM2-1808P-AYU5
FCM1-1805P-BYU5	52	FCM2-1808P-BYU5
FCM1-1805P-SYU5	54	FCM2-1808P-SYU5
FCM1-1805N-SYU5	53	FCM2-1808N-SYU5
FCM1-1805C-AYU5	48	FCM2-1808C-AYU5
FCM1-1805C-BYU5	80	FCM2-1808C-BYU5
HCM1-1805N-AYU5	49	HCM2-1808N-AYU5
HCM1-1805N-BYU5	50	HCM2-1808N-BYU5
HCM1-1805P-AYU5	51	HCM2-1808P-AYU5
HCM1-1805P-BYU5	52	HCM2-1808P-BYU5
ICM1-1805N-AYU5	49	ICM2-1808N-AYU5
ICM1-1805N-BYU5	50	ICM2-1808N-BYU5
ICM1-1805P-AYU5	51	ICM2-1808P-AYU5
ICM1-1805P-BYU5	52	ICM2-1808P-BYU5
ICM1-1805P-SYU5	54	ICM2-1808P-SYU5
ICM1-1805N-SYU5	53	ICM2-1808N-SYU5

Please see Page 18 for details and specifications of DC 2-Wire models on this page.

Approx.159 g Approx.155 g

M 18	
●	○
5 mm	8 mm
stainless steel or nickel plated brass	
●	



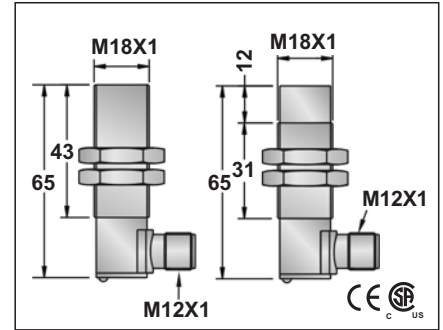
10-30VDC or 5-36VDC or 10-55VDC	
<10%	
<10mA	<20mA
200mA	
<0.01mA	
-	
-	
<1.5V or <1.0V or <2.0V	
1KHZ	500HZ
0.2ms/0.2ms	0.5ms/0.5ms
<15%(Sr)	
<1.0%(Sr)	
IP67	
-25 °C - +70 °C	
<10%(Sr)	
YES	
220mA	
<10ms	
RFI>3V/m / EFT>1KV / ESD>4KV (contact)	
IEC 60947-5-2,Part 7.4.1 / IEC 60947-5-2,Part 7.4.2	
PBT	

FCM1-1805N-AZU4Y	33	FCM2-1808N-AZU4Y
FCM1-1805N-BZU4Y	34	FCM2-1808N-BZU4Y
FCM1-1805P-AZU4Y	35	FCM2-1808P-AZU4Y
FCM1-1805P-BZU4Y	36	FCM2-1808P-BZU4Y
FCM1-1805P-SZU4Y	38	FCM2-1808P-SZU4Y
FCM1-1805N-SZU4Y	37	FCM2-1808N-SZU4Y
FCM1-1805C-AZU4Y	40	FCM2-1808C-AZU4Y
FCM1-1805C-BZU4Y	78	FCM2-1808C-BZU4Y
HCM1-1805N-AZU4Y	33	HCM2-1808N-AZU4Y
HCM1-1805N-BZU4Y	34	HCM2-1808N-BZU4Y
HCM1-1805P-AZU4Y	35	HCM2-1808P-AZU4Y
HCM1-1805P-BZU4Y	36	HCM2-1808P-BZU4Y
ICM1-1805N-AZU4Y	33	ICM2-1808N-AZU4Y
ICM1-1805N-BZU4Y	34	ICM2-1808N-BZU4Y
ICM1-1805P-AZU4Y	35	ICM2-1808P-AZU4Y
ICM1-1805P-BZU4Y	36	ICM2-1808P-BZU4Y
ICM1-1805P-SZU4Y	38	ICM2-1808P-SZU4Y
ICM1-1805N-SZU4Y	37	ICM2-1808N-SZU4Y

FCM*.****.*Z**Y
 Z= 7/8-16UN2A
 R=M12x1

Approx.251 g Approx.283 g

M 18	
●	○
5 mm	8 mm
stainless steel or nickel plated brass	
●	



10-30VDC or 5-36VDC or 10-55VDC	
<10%	
<10mA	<20mA
200mA	
<0.01mA	
-	
-	
<1.5V or <1.0V or <2.0V	
1KHZ	500HZ
0.2ms/0.2ms	0.5ms/0.5ms
<15%(Sr)	
<1.0%(Sr)	
IP67	
-25 °C - +70 °C	
<10%(Sr)	
YES	
220mA	
<10ms	
RFI>3V/m / EFT>1KV / ESD>4KV (contact)	
IEC 60947-5-2,Part 7.4.1 / IEC 60947-5-2,Part 7.4.2	
PBT	

FCM1-1805N-ARU4Y	33	FCM2-1808N-ARU4Y
FCM1-1805N-BRU4Y	34	FCM2-1808N-BRU4Y
FCM1-1805P-ARU4Y	35	FCM2-1808P-ARU4Y
FCM1-1805P-BRU4Y	36	FCM2-1808P-BRU4Y
FCM1-1805P-SRU4Y	38	FCM2-1808P-SRU4Y
FCM1-1805N-SRU4Y	37	FCM2-1808N-SRU4Y
FCM1-1805C-ARU4Y	40	FCM2-1808C-ARU4Y
FCM1-1805C-BRU4Y	78	FCM2-1808C-BRU4Y
HCM1-1805N-ARU4Y	33	HCM2-1808N-ARU4Y
HCM1-1805N-BRU4Y	34	HCM2-1808N-BRU4Y
HCM1-1805P-ARU4Y	35	HCM2-1808P-ARU4Y
HCM1-1805P-BRU4Y	36	HCM2-1808P-BRU4Y
ICM1-1805N-ARU4Y	33	ICM2-1808N-ARU4Y
ICM1-1805N-BRU4Y	34	ICM2-1808N-BRU4Y
ICM1-1805P-ARU4Y	35	ICM2-1808P-ARU4Y
ICM1-1805P-BRU4Y	36	ICM2-1808P-BRU4Y
ICM1-1805P-SRU4Y	38	ICM2-1808P-SRU4Y
ICM1-1805N-SRU4Y	37	ICM2-1808N-SRU4Y

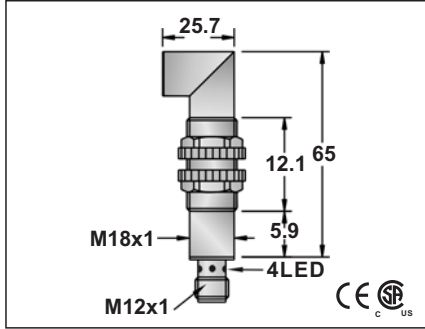
1. Voltage Drop:<1.5V(10-30V),<1V(5-36V), <2V(10-55V).
2. 10-55V type: no load current < 20mA.

Approx.94 g Approx.91 g

Note:
 Coming Soon : Part numbers with underline

DC INDUCTIVE PROXIMITY SWITCH CONNECTOR TYPE

M 18	
●	○
5 mm	8 mm
stainless steel or nickel plated brass	
●	

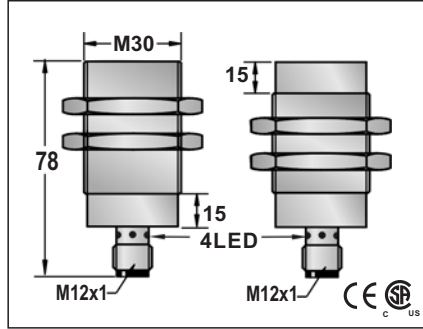


10-30VDC or 5-36VDC or 10-55VDC	
<10%	
<10mA	<20mA
200mA	
<0.01mA	
-	
-	
<1.5V or <1.0V or <2.0V	
1KHZ	500HZ
0.2ms/0.2ms	0.5ms/0.5ms
<15%(Sr)	
<1.0%(Sr)	
IP67	
-25°C - +70°C	
<10%(Sr)	
YES	
220mA	
<10ms	
RFI>3V/m / EFT>1KV / ESD>4KV (contact)	
IEC 60947-5-2, Part 7.4.1 / IEC 60947-5-2, Part 7.4.2	
PBT	

FCM1-1805N-ARU4Z	33	FCM2-1808N-ARU4Z
FCM1-1805N-BRU4Z	34	FCM2-1808N-BRU4Z
FCM1-1805P-ARU4Z	35	FCM2-1808P-ARU4Z
FCM1-1805P-BRU4Z	36	FCM2-1808P-BRU4Z
FCM1-1805P-SRU4Z	38	FCM2-1808P-SRU4Z
FCM1-1805N-SRU4Z	37	FCM2-1808N-SRU4Z
FCM1-1805C-ARU4Z	40	FCM2-1808C-ARU4Z
FCM1-1805C-BRU4Z	78	FCM2-1808C-BRU4Z
HCM1-1805N-ARU4Z	33	HCM2-1808N-ARU4Z
HCM1-1805N-BRU4Z	34	HCM2-1808N-BRU4Z
HCM1-1805P-ARU4Z	35	HCM2-1808P-ARU4Z
HCM1-1805P-BRU4Z	36	HCM2-1808P-BRU4Z
ICM1-1805N-ARU4Z	33	ICM2-1808N-ARU4Z
ICM1-1805N-BRU4Z	34	ICM2-1808N-BRU4Z
ICM1-1805P-ARU4Z	35	ICM2-1808P-ARU4Z
ICM1-1805P-BRU4Z	36	ICM2-1808P-BRU4Z
ICM1-1805P-SRU4Z	38	ICM2-1808P-SRU4Z
ICM1-1805N-SRU4Z	37	ICM2-1808N-SRU4Z

Approx.94 g		Approx.91 g	
-------------	--	-------------	--

M 30	
●	○
10 mm	15 mm
stainless steel or nickel plated brass	
●	



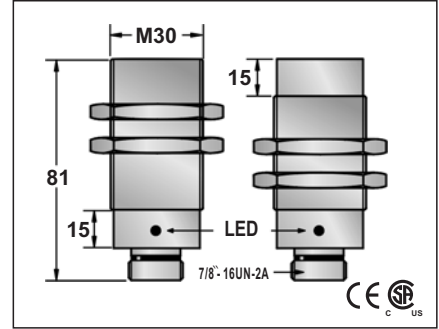
10-30VDC or 5-36VDC or 10-55VDC	
<10%	
<10mA	<20mA
200mA	
<0.01mA	
-	
-	
<1.5V or <1.0V or <2.0V	
300HZ	150HZ
0.5ms/0.5ms	1ms/1ms
<15%(Sr)	
<1.0%(Sr)	
IP67	
-25°C - +70°C	
<10%(Sr)	
YES	
220mA	
<10ms	
RFI>3V/m / EFT>1KV / ESD>4KV (contact)	
IEC 60947-5-2, Part 7.4.1 / IEC 60947-5-2, Part 7.4.2	
PBT	

FCM1-3010N-ARU4	33	FCM2-3015N-ARU4
FCM1-3010N-BRU4	34	FCM2-3015N-BRU4
FCM1-3010P-ARU4	35	FCM2-3015P-ARU4
FCM1-3010P-BRU4	36	FCM2-3015P-BRU4
FCM1-3010P-SRU4	38	FCM2-3015P-SRU4
FCM1-3010N-SRU4	37	FCM2-3015N-SRU4
FCM1-3010C-ARU4	40	FCM2-3015C-ARU4
FCM1-3010C-BRU4	78	FCM2-3015C-BRU4
HCM1-3010N-ARU4	33	HCM2-3015N-ARU4
HCM1-3010N-BRU4	34	HCM2-3015N-BRU4
HCM1-3010P-ARU4	35	HCM2-3015P-ARU4
HCM1-3010P-BRU4	36	HCM2-3015P-BRU4
ICM1-3010N-ARU4	33	ICM2-3015N-ARU4
ICM1-3010N-BRU4	34	ICM2-3015N-BRU4
ICM1-3010P-ARU4	35	ICM2-3015P-ARU4
ICM1-3010P-BRU4	36	ICM2-3015P-BRU4
ICM1-3010P-SRU4	38	ICM2-3015P-SRU4
ICM1-3010N-SRU4	37	ICM2-3015N-SRU4

Approx.187 g		Approx.179 g	
--------------	--	--------------	--

Please see Page 18 for details and specifications of DC 2-Wire models on this page.

M 30	
●	○
10 mm	15 mm
stainless steel or nickel plated brass	
●	



10-30VDC or 5-36VDC or 10-55VDC	
<10%	
<10mA	<20mA
200mA	
<0.01mA	
-	
-	
<1.5V or <1.0V or <2.0V	
0.5ms/0.5ms	1ms/1ms
300HZ	150HZ
<15%(Sr)	
<1.0%(Sr)	
IP67	
-25°C - +70°C	
<10%(Sr)	
YES	
220mA	
<10ms	
RFI>3V/m / EFT>1KV / ESD>4KV (contact)	
IEC 60947-5-2, Part 7.4.1 / IEC 60947-5-2, Part 7.4.2	
PBT	

FCM1-3010N-AZU4	41	FCM2-3015N-AZU4
FCM1-3010N-BZU4	42	FCM2-3015N-BZU4
FCM1-3010P-AZU4	43	FCM2-3015P-AZU4
FCM1-3010P-BZU4	44	FCM2-3015P-BZU4
FCM1-3010P-SZU4	46	FCM2-3015P-SZU4
FCM1-3010N-SZU4	45	FCM2-3015N-SZU4
FCM1-3010C-AZU4	47	FCM2-3015C-AZU4
FCM1-3010C-BZU4	79	FCM2-3015C-BZU4
HCM1-3010N-AZU4	41	HCM2-3015N-AZU4
HCM1-3010N-BZU4	42	HCM2-3015N-BZU4
HCM1-3010P-AZU4	43	HCM2-3015P-AZU4
HCM1-3010P-BZU4	44	HCM2-3015P-BZU4
ICM1-3010N-AZU4	41	ICM2-3015N-AZU4
ICM1-3010N-BZU4	42	ICM2-3015N-BZU4
ICM1-3010P-AZU4	43	ICM2-3015P-AZU4
ICM1-3010P-BZU4	44	ICM2-3015P-BZU4
ICM1-3010P-SZU4	46	ICM2-3015P-SZU4
ICM1-3010N-SZU4	45	ICM2-3015N-SZU4

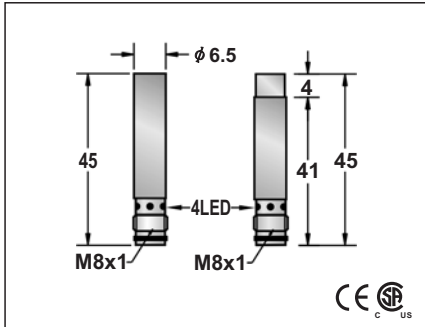
Approx.187 g		Approx.179 g	
--------------	--	--------------	--

1. Voltage Drop:<1.5V(10-30V),<1V(5-36V), <2V(10-55V).
2. 10-55V type: no load current < 20mA.

φ6.5、M8

DC INDUCTIVE SHORT FORM PROXIMITY SWITCH CONNECTOR TYPE

φ 6.5	
●	○
1 mm , 1.5mm	2 mm , 2.5mm
stainless steel only	
●	



10-30VDC or 5-36VDC	
<10%	
<10mA	
200mA	
<0.01mA	

<1.5V(10-30V) or <1.0V(5-36V)	
2KHZ	
0.1ms/0.1ms	
<15%(Sr)	
<1.0%(Sr)	
IP67	
-25 °C - +70 °C	
<10%(Sr)	
YES	
220mA	
<10ms	
RFI>3V/m / EFT>1KV / ESD>4KV (contact)	
IEC 60947-5-2,Part 7.4.1 / IEC 60947-5-2,Part 7.4.2	
POM	

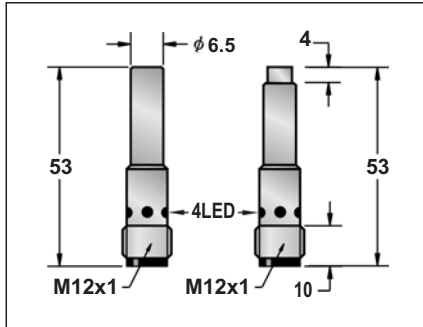
FCU1-D0601N-ACS3	29	FCU2-D0602N-ACS3	
FCU1-D0601N-BCS3	29	FCU2-D0602N-BCS3	
FCU1-D0601P-ACS3	30	FCU2-D0602P-ACS3	
FCU1-D0601P-BCS3	30	FCU2-D0602P-BCS3	

ICU1-D061.5N-ACS3	29	ICU2-D062.5N-ACS3	
ICU1-D061.5N-BCS3	29	ICU2-D062.5N-BCS3	
ICU1-D061.5P-ACS3	30	ICU2-D062.5P-ACS3	
ICU1-D061.5P-BCS3	30	ICU2-D062.5P-BCS3	

5-36V: ICU*.***** type switching distance Sn=1.5mm (shielded), Sn=2.5mm (non-shielded).	
---	--

Approx.14 g	
-------------	--

φ 6.5	
●	○
1 mm , 1.5mm	2 mm , 2.5mm
stainless steel only	
●	



10-30VDC or 5-36VDC	
<10%	
<10mA	
200mA	
<0.01mA	

<1.5V(10-30V) or <1.0V(5-36V)	
2KHZ	
0.1ms/0.1ms	
<15%(Sr)	
<1.0%(Sr)	
IP67	
-25 °C - +70 °C	
<10%(Sr)	
YES	
220mA	
<10ms	
RFI>3V/m / EFT>1KV / ESD>4KV (contact)	
IEC 60947-5-2,Part 7.4.1 / IEC 60947-5-2,Part 7.4.2	
POM	

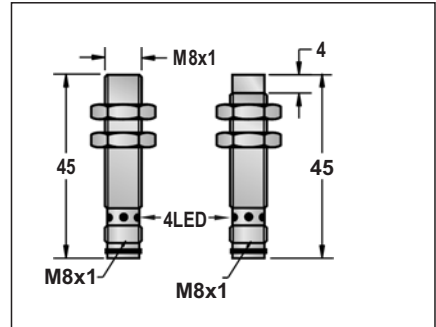
FCM1-D0601N-ARS4	33	FCM2-D0602N-ARS4	
FCM1-D0601N-BRS4	34	FCM2-D0602N-BRS4	
FCM1-D0601P-ARS4	35	FCM2-D0602P-ARS4	
FCM1-D0601P-BRS4	36	FCM2-D0602P-BRS4	

ICM1-D061.5N-ARS4	33	ICM2-D062.5N-ARS4	
ICM1-D061.5N-BRS4	34	ICM2-D062.5N-BRS4	
ICM1-D061.5P-ARS4	35	ICM2-D062.5P-ARS4	
ICM1-D061.5P-BRS4	36	ICM2-D062.5P-BRS4	

5-36V: ICU*.***** type switching distance Sn=1.5mm (shielded), Sn=2.5mm (non-shielded).	
---	--

Approx.20 g	
-------------	--

M 8	
●	○
1 mm , 1.5mm	2 mm , 2.5mm
stainless steel only	
●	



10-30VDC or 5-36VDC	
<10%	
<10mA	
200mA	
<0.01mA	

<1.5V(10-30V) or <1.0V(5-36V)	
2KHZ	
0.1ms/0.1ms	
<15%(Sr)	
<1.0%(Sr)	
IP67	
-25 °C - +70 °C	
<10%(Sr)	
YES	
220mA	
<10ms	
RFI>3V/m / EFT>1KV / ESD>4KV (contact)	
IEC 60947-5-2,Part 7.4.1 / IEC 60947-5-2,Part 7.4.2	
POM	

FCU1-0801N-ACS3	29	FCU2-0802N-ACS3	
FCU1-0801N-BCS3	29	FCU2-0802N-BCS3	
FCU1-0801P-ACS3	30	FCU2-0802P-ACS3	
FCU1-0801P-BCS3	30	FCU2-0802P-BCS3	

ICU1-081.5N-ACS3	29	ICU2-082.5N-ACS3	
ICU1-081.5N-BCS3	29	ICU2-082.5N-BCS3	
ICU1-081.5P-ACS3	30	ICU2-082.5P-ACS3	
ICU1-081.5P-BCS3	30	ICU2-082.5P-BCS3	

5-36V: ICU*.***** type switching distance Sn=1.5mm (shielded), Sn=2.5mm (non-shielded).	
---	--

Approx.12 g	
-------------	--

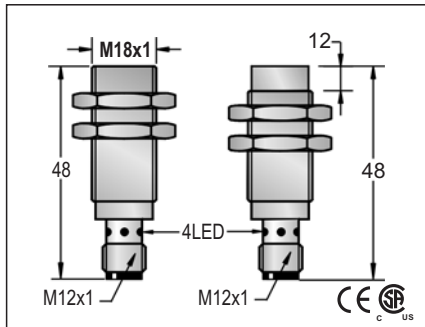
Note:
Coming Soon : Part numbers with underline

M18、M30、Q20x32x10

DC INDUCTIVE SHORT FORM PROXIMITY SWITCH CONNECTOR TYPE

DC INDUCTIVE SHORT FORM PROXIMITY SWITCH CONNECTOR TYPE

M 18	
●	○
5 mm	8 mm
stainless steel or nickel plated brass	
●	



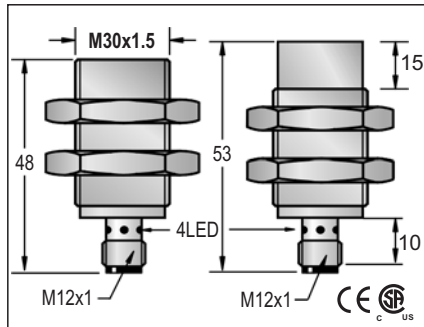
10-30VDC or 5-36VDC or 10-55VDC	
<10%	
<10mA	<20mA
200mA	
<0.01mA	
-	
<1.5V or <1.0V or <2.0V	
1KHZ	500HZ
0.2ms/0.2ms	0.5ms/0.5ms
<15%(Sr)	
<1.0%(Sr)	
IP67	
-25 °C - +70 °C	
<10%(Sr)	
YES	
220mA	
<10ms	
RFI>3V/m / EFT>1KV / ESD>4KV (contact)	
IEC 60947-5-2, Part 7.4.1 / IEC 60947-5-2, Part 7.4.2	
PBT	

FCM1-1805N-ARS4	33	FCM2-1808N-ARS4
FCM1-1805N-BRS4	34	FCM2-1808N-BRS4
FCM1-1805P-ARS4	35	FCM2-1808P-ARS4
FCM1-1805P-BRS4	36	FCM2-1808P-BRS4
FCM1-1805P-SRS4	38	FCM2-1808P-SRS4
FCM1-1805N-SRS4	37	FCM2-1808N-SRS4
FCM1-1805C-ARS4	40	FCM2-1808C-ARS4
FCM1-1805C-BRS4	78	FCM2-1808C-BRS4
HCM1-1805N-ARS4	33	HCM2-1808N-ARS4
HCM1-1805N-BRS4	34	HCM2-1808N-BRS4
HCM1-1805P-ARS4	35	HCM2-1808P-ARS4
HCM1-1805P-BRS4	36	HCM2-1808P-BRS4
ICM1-1805N-ARS4	33	ICM2-1808N-ARS4
ICM1-1805N-BRS4	34	ICM2-1808N-BRS4
ICM1-1805P-ARS4	35	ICM2-1808P-ARS4
ICM1-1805P-BRS4	36	ICM2-1808P-BRS4
ICM1-1805P-SRS4	38	ICM2-1808P-SRS4
ICM1-1805N-SRS4	37	ICM2-1808N-SRS4

1. Voltage Drop:<1.5V(10-30V),<1V(5-36V), <2V(10-55V).
2. 10-55V type: No Load Current < 20mA.

Approx.50 g

M 30	
●	○
10 mm	15 mm
stainless steel or nickel plated brass	
●	



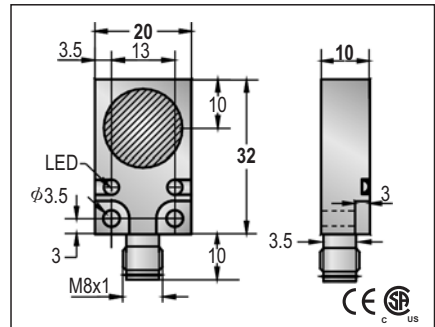
10-30VDC or 5-36VDC or 10-55VDC	
<10%	
<10mA	<20mA
200mA	
<0.01mA	
-	
<1.5V or <1.0V or <2.0V	
300HZ	150HZ
0.5ms/0.5ms	1ms/1ms
<15%(Sr)	
<1.0%(Sr)	
IP67	
-25 °C - +70 °C	
<10%(Sr)	
YES	
220mA	
<10ms	
RFI>3V/m / EFT>1KV / ESD>4KV (contact)	
IEC 60947-5-2, Part 7.4.1 / IEC 60947-5-2, Part 7.4.2	
PBT	

FCM1-3010N-ARS4	33	FCM2-3015N-ARS4
FCM1-3010N-BRS4	34	FCM2-3015N-BRS4
FCM1-3010P-ARS4	35	FCM2-3015P-ARS4
FCM1-3010P-BRS4	36	FCM2-3015P-BRS4
FCM1-3010P-SRS4	38	FCM2-3015P-SRS4
FCM1-3010N-SRS4	37	FCM2-3015N-SRS4
FCM1-3010C-ARS4	40	FCM2-3015C-ARS4
FCM1-3010C-BRS4	78	FCM2-3015C-BRS4
HCM1-3010N-ARS4	33	HCM2-3015N-ARS4
HCM1-3010N-BRS4	34	HCM2-3015N-BRS4
HCM1-3010P-ARS4	35	HCM2-3015P-ARS4
HCM1-3010P-BRS4	36	HCM2-3015P-BRS4
ICM1-3010N-ARS4	33	ICM2-3015N-ARS4
ICM1-3010N-BRS4	34	ICM2-3015N-BRS4
ICM1-3010P-ARS4	35	ICM2-3015P-ARS4
ICM1-3010P-BRS4	36	ICM2-3015P-BRS4
ICM1-3010P-SRS4	38	ICM2-3015P-SRS4
ICM1-3010N-SRS4	37	ICM2-3015N-SRS4

Please see Page 18 for details and specifications of DC 2-Wire models on this page.

Approx.111 g Approx.121 g

20X32X10	
●	○
5 mm	
die-cast	
●	



10-30VDC or 5-36VDC or 10-55VDC	
<10%	
<10mA	<20mA
200mA	
<0.01mA	
-	
<1.5V or <1.0V or <2.0V	
1KHZ	
0.2ms/0.2ms	
<15%(Sr)	
<1.0%(Sr)	
IP67	
-25 °C - +70 °C	
<10%(Sr)	
YES	
220mA	
<10ms	
RFI>3V/m / EFT>1KV / ESD>4KV (contact)	
IEC 60947-5-2, Part 7.4.1 / IEC 60947-5-2, Part 7.4.2	
PBT	

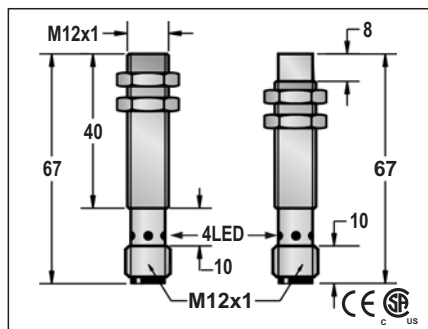
FQM1-2005N-ACU3T	29
FQM1-2005N-BCU3T	29
FQM1-2005P-ACU3T	30
FQM1-2005P-BCU3T	30
FQM1-2005P-SCU4T	32
FQM1-2005N-SCU4T	31
FQM1-2005C-ACU3T	39
FQM1-2005C-BCU3T	77
HQM1-2005N-ACU3T	29
HQM1-2005N-BCU3T	29
HQM1-2005P-ACU3T	30
HQM1-2005P-BCU3T	30
IQM1-2005N-ACU3T	29
IQM1-2005N-BCU3T	29
IQM1-2005P-ACU3T	30
IQM1-2005P-BCU3T	30
IQM1-2005P-SCU4T	32
IQM1-2005N-SCU4T	31

Approx.55 g

Note:
Coming Soon : Part numbers with underline

DC INDUCTIVE PLASTIC HOUSING CONNECTOR TYPE

M 12	
●	○
2 mm	4 mm
PBT RESIN	
●	



10-30VDC or 5-36VDC or 10-55VDC	
<10%	
<10mA	<20mA
200mA	
<0.01mA	
-	
-	
<1.5V or <1.0V or <2.0V	
2KHZ	1KHZ
0.1ms/0.1ms	0.2ms/0.2ms
<15%(Sr)	
<1.0%(Sr)	
IP67	
-25 °C - +70 °C	
<10%(Sr)	
YES	
220mA	
<10ms	
RFI>3V/m / EFT>1KV / ESD>4KV (contact)	
IEC 60947-5-2,Part 7.4.1 / IEC 60947-5-2,Part 7.4.2	
POM	PBT

FCP1-1202N-ARU4	33	FCP2-1204N-ARU4
FCP1-1202N-BRU4	34	FCP2-1204N-BRU4
FCP1-1202P-ARU4	35	FCP2-1204P-ARU4
FCP1-1202P-BRU4	36	FCP2-1204P-BRU4
FCP1-1202P-SRU4	38	FCP2-1204P-SRU4
FCP1-1202N-SRU4	37	FCP2-1204N-SRU4
FCP1-1202C-ARU4	40	FCP2-1204C-ARU4
FCP1-1202C-BRU4	78	FCP2-1204C-BRU4
HCP1-1202N-ARU4	33	HCP2-1204N-ARU4
HCP1-1202N-BRU4	34	HCP2-1204N-BRU4
HCP1-1202P-ARU4	35	HCP2-1204P-ARU4
HCP1-1202P-BRU4	36	HCP2-1204P-BRU4
ICP1-1202N-ARU4	33	ICP2-1204N-ARU4
ICP1-1202N-BRU4	34	ICP2-1204N-BRU4
ICP1-1202P-ARU4	35	ICP2-1204P-ARU4
ICP1-1202P-BRU4	36	ICP2-1204P-BRU4
ICP1-1202P-SRU4	38	ICP2-1204P-SRU4
ICP1-1202N-SRU4	37	ICP2-1204N-SRU4

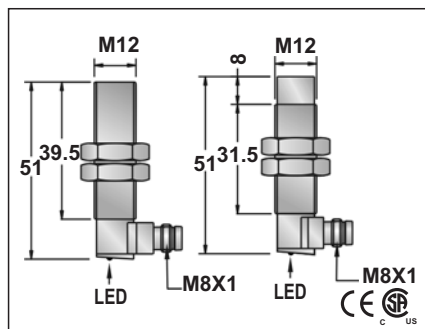
- Voltage Drop:<1.5V(10-30V),<1V(5-36V), <2V(10-55V).
- 10-55V type: No Load Current < 20mA.

Approx.14 g

Note:

Coming Soon : Part numbers with underline

M 12	
●	○
2 mm	4 mm
PBT RESIN	
●	



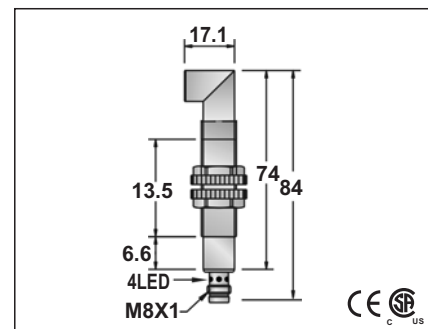
10-30VDC or 5-36VDC or 10-55VDC	
<10%	
<10mA	<20mA
200mA	
<0.01mA	
-	
-	
<1.5V or <1.0V or <2.0V	
2KHZ	1KHZ
0.1ms/0.1ms	0.2ms/0.2ms
<15%(Sr)	
<1.0%(Sr)	
IP67	
-25 °C - +70 °C	
<10%(Sr)	
YES	
220mA	
<10ms	
RFI>3V/m / EFT>1KV / ESD>4KV (contact)	
IEC 60947-5-2,Part 7.4.1 / IEC 60947-5-2,Part 7.4.2	
POM	PBT

FCP1-1202N-ACU3Y	33	FCP2-1204N-ACU3Y
FCP1-1202N-BCU3Y	34	FCP2-1204N-BCU3Y
FCP1-1202P-ACU3Y	35	FCP2-1204P-ACU3Y
FCP1-1202P-BCU3Y	36	FCP2-1204P-BCU3Y
FCP1-1202P-SCU4Y	38	FCP2-1204P-SCU4Y
FCP1-1202N-SCU4Y	37	FCP2-1204N-SCU4Y
FCP1-1202C-ACU3Y	40	FCP2-1204C-ACU3Y
FCP1-1202C-BCU3Y	78	FCP2-1204C-BCU3Y
HCP1-1202N-ACU3Y	33	HCP2-1204N-ACU3Y
HCP1-1202N-BCU3Y	34	HCP2-1204N-BCU3Y
HCP1-1202P-ACU3Y	35	HCP2-1204P-ACU3Y
HCP1-1202P-BCU3Y	36	HCP2-1204P-BCU3Y
ICP1-1202N-ACU3Y	33	ICP2-1204N-ACU3Y
ICP1-1202N-BCU3Y	34	ICP2-1204N-BCU3Y
ICP1-1202P-ACU3Y	35	ICP2-1204P-ACU3Y
ICP1-1202P-BCU3Y	36	ICP2-1204P-BCU3Y
ICP1-1202P-SCU4Y	38	ICP2-1204P-SCU4Y
ICP1-1202N-SCU4Y	37	ICP2-1204N-SCU4Y

Please see Page 18 for details and specifications of DC 2-Wire models on this page.

Approx.14 g

M 12	
●	○
2 mm	4 mm
PBT RESIN	
●	



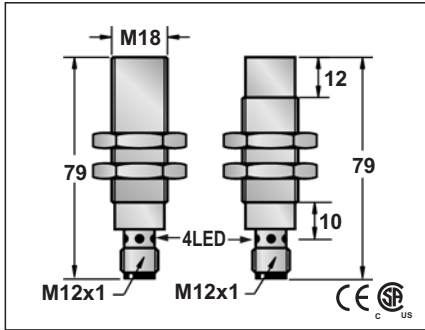
10-30VDC or 5-36VDC or 10-55VDC	
<10%	
<10mA	<20mA
200mA	
<0.01mA	
-	
-	
<1.5V or <1.0V or <2.0V	
2KHZ	1KHZ
0.1ms/0.1ms	0.2ms/0.2ms
<15%(Sr)	
<1.0%(Sr)	
IP67	
-25 °C - +70 °C	
<10%(Sr)	
YES	
220mA	
<10ms	
RFI>3V/m / EFT>1KV / ESD>4KV (contact)	
IEC 60947-5-2,Part 7.4.1 / IEC 60947-5-2,Part 7.4.2	
POM	

FCP1-1202N-ACU3Z	33	FCP2-1204N-ACU3Z
FCP1-1202N-BCU3Z	34	FCP2-1204N-BCU3Z
FCP1-1202P-ACU3Z	35	FCP2-1204P-ACU3Z
FCP1-1202P-BCU3Z	36	FCP2-1204P-BCU3Z
FCP1-1202P-SCU4Z	38	FCP2-1204P-SCU4Z
FCP1-1202N-SCU4Z	37	FCP2-1204N-SCU4Z
FCP1-1202C-ACU3Z	40	FCP2-1204C-ACU3Z
FCP1-1202C-BCU3Z	78	FCP2-1204C-BCU3Z
HCP1-1202N-ACU3Z	33	HCP2-1204N-ACU3Z
HCP1-1202N-BCU3Z	34	HCP2-1204N-BCU3Z
HCP1-1202P-ACU3Z	35	HCP2-1204P-ACU3Z
HCP1-1202P-BCU3Z	36	HCP2-1204P-BCU3Z
ICP1-1202N-ACU3Z	33	ICP2-1204N-ACU3Z
ICP1-1202N-BCU3Z	34	ICP2-1204N-BCU3Z
ICP1-1202P-ACU3Z	35	ICP2-1204P-ACU3Z
ICP1-1202P-BCU3Z	36	ICP2-1204P-BCU3Z
ICP1-1202P-SCU4Z	38	ICP2-1204P-SCU4Z
ICP1-1202N-SCU4Z	37	ICP2-1204N-SCU4Z

Approx.14 g

DC INDUCTIVE PLASTIC HOUSING CONNECTOR TYPE

M 18	
●	○
5 mm	8 mm
PBT RESIN	
●	



10-30VDC or 5-36VDC or 10-55VDC	
<10%	
<10mA	<20mA
200mA	
<0.01mA	
-	
<1.5V or <1.0V or <2.0V	
1KHZ	500HZ
0.2ms/0.2ms	0.5ms/0.5ms
<15%	
<1.0%(Sr)	
IP67	
-25°C - +70°C	
<10%(Sr)	
YES	
220mA	
<10ms	
RFI>3V/m / EFT>1KV / ESD>4KV (contact)	
IEC 60947-5-2, Part 7.4.1 / IEC 60947-5-2, Part 7.4.2	
PBT	

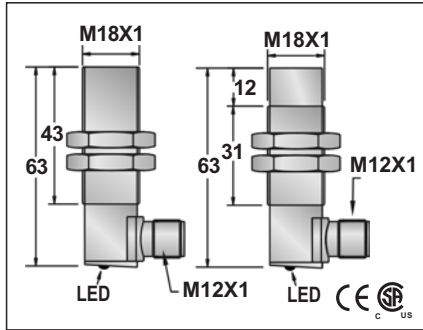
FCP1-1805N-ARU4	33	FCP2-1808N-ARU4
FCP1-1805N-BRU4	34	FCP2-1808N-BRU4
FCP1-1805P-ARU4	35	FCP2-1808P-ARU4
FCP1-1805P-BRU4	36	FCP2-1808P-BRU4
FCP1-1805P-SRU4	38	FCP2-1808P-SRU4
FCP1-1805N-SRU4	37	FCP2-1808N-SRU4
FCP1-1805C-ARU4	40	FCP2-1808C-ARU4
FCP1-1805C-BRU4	78	FCP2-1808C-BRU4
HCP1-1805N-ARU4	33	HCP2-1808N-ARU4
HCP1-1805N-BRU4	34	HCP2-1808N-BRU4
HCP1-1805P-ARU4	35	HCP2-1808P-ARU4
HCP1-1805P-BRU4	36	HCP2-1808P-BRU4
ICP1-1805N-ARU4	33	ICP2-1808N-ARU4
ICP1-1805N-BRU4	34	ICP2-1808N-BRU4
ICP1-1805P-ARU4	35	ICP2-1808P-ARU4
ICP1-1805P-BRU4	36	ICP2-1808P-BRU4
ICP1-1805P-SRU4	38	ICP2-1808P-SRU4
ICP1-1805N-SRU4	37	ICP2-1808N-SRU4

1. Voltage Drop:<1.5V(10-30V),<1V(5-36V), <2V(10-55V).
2. 10-55V type: No Load Current < 20mA.

Approx.35 g

Note:
Coming Soon : Part numbers with underline

M 18	
●	○
5 mm	8 mm
PBT RESIN	
●	



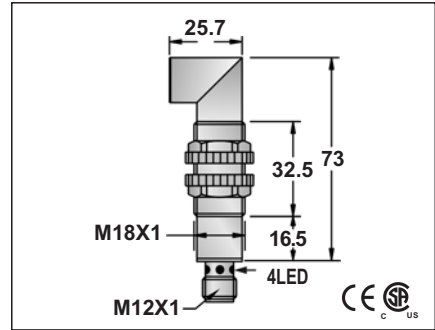
10-30VDC or 5-36VDC or 10-55VDC	
<10%	
<10mA	<20mA
200mA	
<0.01mA	
-	
<1.5V or <1.0V or <2.0V	
1KHZ	500HZ
0.2ms/0.2ms	0.5ms/0.5ms
<15%	
<1.0%(Sr)	
IP67	
-25°C - +70°C	
<10%(Sr)	
YES	
220mA	
<10ms	
RFI>3V/m / EFT>1KV / ESD>4KV (contact)	
IEC 60947-5-2, Part 7.4.1 / IEC 60947-5-2, Part 7.4.2	
PBT	

FCP1-1805N-ARU4Y	33	FCP2-1808N-ARU4Y
FCP1-1805N-BRU4Y	34	FCP2-1808N-BRU4Y
FCP1-1805P-ARU4Y	35	FCP2-1808P-ARU4Y
FCP1-1805P-BRU4Y	36	FCP2-1808P-BRU4Y
FCP1-1805P-SRU4Y	38	FCP2-1808P-SRU4Y
FCP1-1805N-SRU4Y	37	FCP2-1808N-SRU4Y
FCP1-1805C-ARU4Y	40	FCP2-1808C-ARU4Y
FCP1-1805C-BRU4Y	78	FCP2-1808C-BRU4Y
HCP1-1805N-ARU4Y	33	HCP2-1808N-ARU4Y
HCP1-1805N-BRU4Y	34	HCP2-1808N-BRU4Y
HCP1-1805P-ARU4Y	35	HCP2-1808P-ARU4Y
HCP1-1805P-BRU4Y	36	HCP2-1808P-BRU4Y
ICP1-1805N-ARU4Y	33	ICP2-1808N-ARU4Y
ICP1-1805N-BRU4Y	34	ICP2-1808N-BRU4Y
ICP1-1805P-ARU4Y	35	ICP2-1808P-ARU4Y
ICP1-1805P-BRU4Y	36	ICP2-1808P-BRU4Y
ICP1-1805P-SRU4Y	38	ICP2-1808P-SRU4Y
ICP1-1805N-SRU4Y	37	ICP2-1808N-SRU4Y

Please see Page 18 for details and specifications of DC 2-Wire models on this page.

Approx.35 g

M 18	
●	○
5 mm	8 mm
PBT RESIN	
●	



10-30VDC or 5-36VDC or 10-55VDC	
<10%	
<10mA	<20mA
200mA	
<0.01mA	
-	
<1.5V or <1.0V or <2.0V	
1KHZ	500HZ
0.2ms/0.2ms	0.5ms/0.5ms
<15%	
<1.0%(Sr)	
IP67	
-25°C - +70°C	
<10%(Sr)	
YES	
220mA	
<10ms	
RFI>3V/m / EFT>1KV / ESD>4KV (contact)	
IEC 60947-5-2, Part 7.4.1 / IEC 60947-5-2, Part 7.4.2	
PBT	

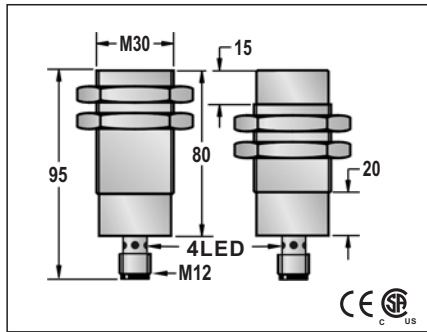
FCP1-1805N-ARU4Z	33	FCP2-1808N-ARU4Z
FCP1-1805N-BRU4Z	34	FCP2-1808N-BRU4Z
FCP1-1805P-ARU4Z	35	FCP2-1808P-ARU4Z
FCP1-1805P-BRU4Z	36	FCP2-1808P-BRU4Z
FCP1-1805P-SRU4Z	38	FCP2-1808P-SRU4Z
FCP1-1805N-SRU4Z	37	FCP2-1808N-SRU4Z
FCP1-1805C-ARU4Z	40	FCP2-1808C-ARU4Z
FCP1-1805C-BRU4Z	78	FCP2-1808C-BRU4Z
HCP1-1805N-ARU4Z	33	HCP2-1808N-ARU4Z
HCP1-1805N-BRU4Z	34	HCP2-1808N-BRU4Z
HCP1-1805P-ARU4Z	35	HCP2-1808P-ARU4Z
HCP1-1805P-BRU4Z	36	HCP2-1808P-BRU4Z
ICP1-1805N-ARU4Z	33	ICP2-1808N-ARU4Z
ICP1-1805N-BRU4Z	34	ICP2-1808N-BRU4Z
ICP1-1805P-ARU4Z	35	ICP2-1808P-ARU4Z
ICP1-1805P-BRU4Z	36	ICP2-1808P-BRU4Z
ICP1-1805P-SRU4Z	38	ICP2-1808P-SRU4Z
ICP1-1805N-SRU4Z	37	ICP2-1808N-SRU4Z

Approx.35 g

Approx.35 g

DC INDUCTIVE PLASTIC HOUSING CONNECTOR TYPE

M 30	
●	○
10 mm	15 mm
PBT RESIN	
●	



10-30VDC or 5-36VDC or 10-55VDC	
<10%	
<10mA	<20mA
200mA	
<0.01mA	
-	
-	
<1.5V or <1.0V or <2.0V	
300HZ	150HZ
0.5ms/0.5ms	1ms/1ms
<15%(Sr)	
<1.0%(Sr)	
IP67	
-25 °C - +70 °C	
<10%(Sr)	
YES	
220mA	
<10ms	
RFI>3V/m / EFT>1KV / ESD>4KV (contact)	
IEC 60947-5-2,Part 7.4.1 / IEC 60947-5-2,Part 7.4.2	
PBT	

FCP1-3010N-ARU4	33	FCP2-3015N-ARU4
FCP1-3010N-BRU4	34	FCP2-3015N-BRU4
FCP1-3010P-ARU4	35	FCP2-3015P-ARU4
FCP1-3010P-BRU4	36	FCP2-3015P-BRU4
FCP1-3010P-SRU4	38	FCP2-3015P-SRU4
FCP1-3010N-SRU4	37	FCP2-3015N-SRU4
FCP1-3010C-ARU4	40	FCP2-3015C-ARU4
FCP1-3010C-BRU4	78	FCP2-3015C-BRU4
HCP1-3010N-ARU4	33	HCP2-3015N-ARU4
HCP1-3010N-BRU4	34	HCP2-3015N-BRU4
HCP1-3010P-ARU4	35	HCP2-3015P-ARU4
HCP1-3010P-BRU4	36	HCP2-3015P-BRU4
ICP1-3010N-ARU4	33	ICP2-3015N-ARU4
ICP1-3010N-BRU4	34	ICP2-3015N-BRU4
ICP1-3010P-ARU4	35	ICP2-3015P-ARU4
ICP1-3010P-BRU4	36	ICP2-3015P-BRU4
ICP1-3010P-SRU4	38	ICP2-3015P-SRU4
ICP1-3010N-SRU4	37	ICP2-3015N-SRU4

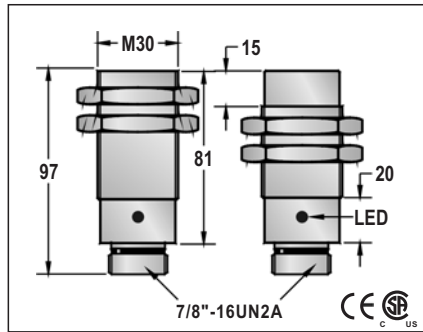
1. Voltage Drop:<1.5V (10-30V),<1V (5-36V), <2V (10-55V).
2. 10-55V type: No Load Current < 20mA.

Approx.120 g

Note:

Coming Soon : Part numbers with underline

M 30	
●	○
10 mm	15 mm
PBT RESIN	
●	



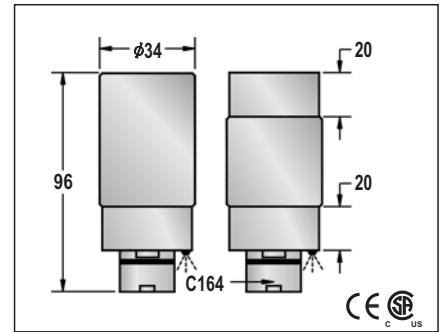
10-30VDC or 5-36VDC or 10-55VDC	
<10%	
<10mA	<20mA
200mA	
<0.01mA	
-	
-	
<1.5V or <1.0V or <2.0V	
300HZ	150HZ
0.5ms/0.5ms	1ms/1ms
<15%(Sr)	
<1.0%(Sr)	
IP67	
-25 °C - +70 °C	
<10%(Sr)	
YES	
220mA	
<10ms	
RFI>3V/m / EFT>1KV / ESD>4KV (contact)	
IEC 60947-5-2,Part 7.4.1 / IEC 60947-5-2,Part 7.4.2	
PBT	

FCP1-3010N-AZU4	41	FCP2-3015N-AZU4
FCP1-3010N-BZU4	42	FCP2-3015N-BZU4
FCP1-3010P-AZU4	43	FCP2-3015P-AZU4
FCP1-3010P-BZU4	44	FCP2-3015P-BZU4
FCP1-3010P-SZU4	46	FCP2-3015P-SZU4
FCP1-3010N-SZU4	45	FCP2-3015N-SZU4
FCP1-3010C-AZU4	47	FCP2-3015C-AZU4
FCP1-3010C-BZU4	79	FCP2-3015C-BZU4
HCP1-3010N-AZU4	41	HCP2-3015N-AZU4
HCP1-3010N-BZU4	42	HCP2-3015N-BZU4
HCP1-3010P-AZU4	43	HCP2-3015P-AZU4
HCP1-3010P-BZU4	44	HCP2-3015P-BZU4
ICP1-3010N-AZU4	41	ICP2-3015N-AZU4
ICP1-3010N-BZU4	42	ICP2-3015N-BZU4
ICP1-3010P-AZU4	43	ICP2-3015P-AZU4
ICP1-3010P-BZU4	44	ICP2-3015P-BZU4
ICP1-3010P-SZU4	46	ICP2-3015P-SZU4
ICP1-3010N-SZU4	45	ICP2-3015N-SZU4

Please see Page 18 for details and specifications of DC 2-Wire models on this page.

Approx.120 g

φ34	
●	○
15 mm	20 mm
PBT RESIN	
●	



10-30VDC or 5-36VDC or 10-55VDC	
<10%	
<10mA	<20mA
200mA	
<0.01mA	
-	
-	
<1.5V or <1.0V or <2.0V	
300HZ	150HZ
0.5ms/0.5ms	1ms/1ms
<15%(Sr)	
<1.0%(Sr)	
IP67	
-25 °C - +70 °C	
<10%(Sr)	
YES	
220mA	
<10ms	
RFI>3V/m / EFT>1KV / ESD>4KV (contact)	
IEC 60947-5-2,Part 7.4.1 / IEC 60947-5-2,Part 7.4.2	
PBT	

FCP1-D3415N-AYU5	49	FCP2-D3420N-AYU5
FCP1-D3415N-BYU5	50	FCP2-D3420N-BYU5
FCP1-D3415P-AYU5	51	FCP2-D3420P-AYU5
FCP1-D3415P-BYU5	52	FCP2-D3420P-BYU5
FCP1-D3415P-SYU5	54	FCP2-D3420P-SYU5
FCP1-D3415N-SYU5	53	FCP2-D3420N-SYU5
FCP1-D3415C-AYU5	48	FCP2-D3420C-AYU5
FCP1-D3415C-BYU5	80	FCP2-D3420C-BYU5
HCP1-D3415N-AYU5	49	HCP2-D3420N-AYU5
HCP1-D3415N-BYU5	50	HCP2-D3420N-BYU5
HCP1-D3415P-AYU5	51	HCP2-D3420P-AYU5
HCP1-D3415P-BYU5	52	HCP2-D3420P-BYU5
ICP1-D3415N-AYU5	49	ICP2-D3420N-AYU5
ICP1-D3415N-BYU5	50	ICP2-D3420N-BYU5
ICP1-D3415P-AYU5	51	ICP2-D3420P-AYU5
ICP1-D3415P-BYU5	52	ICP2-D3420P-BYU5
ICP1-D3415P-SYU5	54	ICP2-D3420P-SYU5
ICP1-D3415N-SYU5	53	ICP2-D3420N-SYU5

Approx.162 g